

## WARNING INFORMATION



This is the safety alert symbol. It is used to alert you to potential personal injury hazards. Obey all safety messages that follow this symbol to avoid possible injury or death.



**WARNING:** Indicates a hazardous situation which, if not avoided, could result in death or serious injury.



### **IMPORTANT: READ THESE INSTRUCTIONS BEFORE OPERATING**

BEFORE USING THIS DEVICE, READ THIS MANUAL COMPLETELY AND THOROUGHLY, UNDERSTAND ITS OPERATING PROCEDURES, SAFETY WARNINGS AND MAINTENANCE REQUIREMENTS.

It is the responsibility of the owner to make sure all personnel read this manual prior to using the device. It is also the responsibility of the device owner to keep this manual intact and in a convenient location for all to see and read. Contact Powerstation for a replacement label if your jack's label is not readable.















## THE NATURE OF HAZARDOUS SITUATIONS

### **WARNING**

The use of Portable Automotive Lifting Devices are subject to certain hazards that cannot be prevented by mechanical means, but only by the exercise of intelligence, care, and common sense. It is essential to have personnel involved in the use and operation of the device who are careful, competent, trained, and qualified in the safe operation of the device and its proper use when servicing motor vehicles and their components. Examples of hazards are dropping, tipping or slipping of loads caused primarily by improperly securing loads, overloading, off-centered loads, use on other than hard level surfaces, and using equipment for a purpose for which it was not intended.

## METHODS TO AVOID HAZARDOUS SITUATIONS

### **WARNING**

-  Read, study, understand and follow all instructions before operating this device.
-  Inspect the jack before each use. Do not use jack if damaged, altered, modified, in poor condition, leaking hydraulic fluid, or unstable due to loose or missing components. Make corrections before using.
-  Lift only on areas of the vehicle as specified by the vehicle manufacturer.
-  Wear eye protection that meets ANSI Z87.1 and OSHA standards (Users & Bystanders).
-  Do not use jack beyond its rated capacity. Do not shock load.
-  **This is a lifting device only. Immediately after lifting, support the vehicle with jack stands capable of sustaining the load before working on the vehicle.**
-  Use only on a hard level surface free from obstructions so the jack is free to reposition itself during lifting and lowering operations.
-  Center load on saddle. Be sure setup is stable before working on vehicle.
-  Do not move or dolly the vehicle while on the jack.
-  Do not use any materials that may serve as risers, spacers or extenders between the stock lifting saddle and the load.
-  Do not use any adaptors that replace the stock lifting saddle unless approved or supplied by the jack manufacturer.
-  Do not use (or modify) the product for any other purpose than that for which it was designed without consulting the manufacturer's authorized representative.
-  Always lower the jack slowly and carefully.
-  Failure to heed these warnings may result in fatal personal injury and/or property damage.

 **WARNING:** This product can expose you to chemicals including nickel, which is known to the State of California to cause cancer and birth defects or other reproductive harm. For more information go to [www.P65Warnings.ca.gov](http://www.P65Warnings.ca.gov).

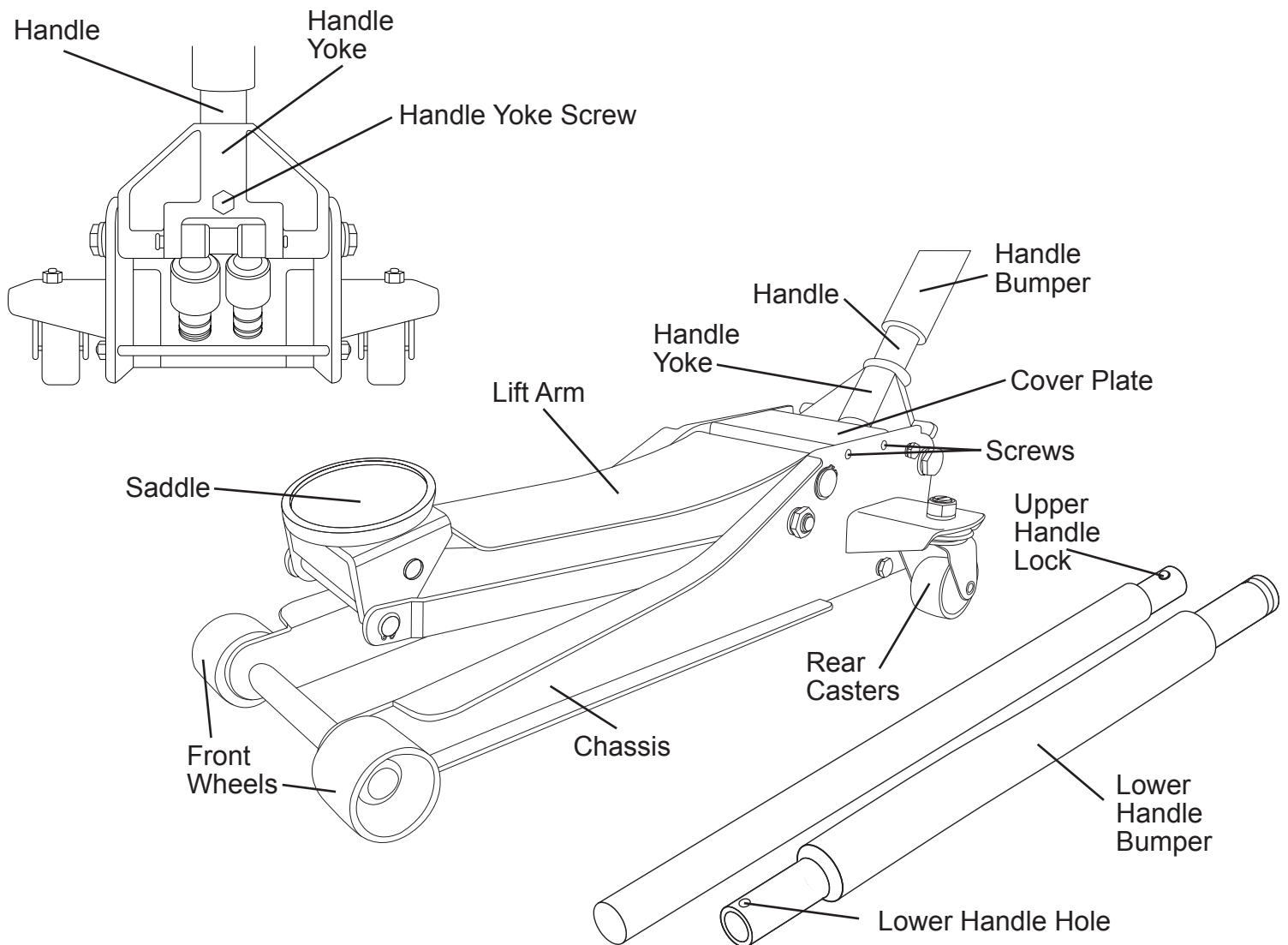
## CONSEQUENCES OF NOT AVOIDING HAZARDOUS SITUATIONS

### **WARNING**

Failure to read this manual completely and thoroughly, failure to understand its OPERATING INSTRUCTIONS, SAFETY WARNINGS, MAINTENANCE INSTRUCTIONS and comply with them, and failure to comply with the METHODS TO AVOID HAZARDOUS SITUATIONS could cause accidents resulting in serious or fatal personal injury and/or property damage.

## INSPECTION

Visual inspection should be made before each use of the jack, checking for leaking hydraulic fluid and damaged, loose or missing parts. Any jack which appears to be damaged in any way, is found to be badly worn, or operates abnormally **MUST BE REMOVED FROM SERVICE** until necessary repairs are made.



## SETUP

1. Depress the upper handle lock in the upper handle while simultaneously inserting the end of the upper handle in the lower handle. Rotate the upper handle back and forth until the handle lock seats in the hole in the lower handle lock hole.
2. Grease the inside of the handle yoke so the handle will rotate freely inside the yoke. Remove the handle yoke screw. Insert the end of the lower handle all the way in the handle yoke until it engages the release valve assembly. Secure the handle in the handle yoke by reinstalling the handle yoke screw and tightening the screw. Rotate the handle to see if it is rotating the release valve assembly. Pull on the handle to make sure it is secured in the handle yoke. If the release valve assembly is not rotating and/or the handle pulls out of the handle yoke, repeat step 2.
3. **IMPORTANT:** In most cases the jack should work normally right out of the box but it is not unusual for air to get trapped in the jack's hydraulic system during shipping and handling. There are several symptoms of an air trapped hydraulic system which include only partial incremental pump stroke, jack will not lift load, jack will not sustain load or pumping feels spongy under load. The following procedure will purge air from the hydraulic system and only needs to be done if experiencing the above mentioned conditions.
  - a) Close the release valve by turning the handle clockwise until it stops. Now turn the handle in a counterclockwise direction two full revolutions. Pump the jack 10 full incremental pump strokes.
  - b) Rotate the handle in a clockwise direction until tight and pump the lift arm to maximum height without a load. If the pumping condition has improved, repeat steps a) and b) until all the air has been purged from the system.

**CAUTION:** In order to prevent seal damage and jack failure, never use alcohol, hydraulic brake fluid, or transmission oil in the jack. Use hydraulic jack oil, a light turbine oil, Chevron Hydraulic Oil AW ISO 32 or Unocal Unax AW 150.

**IMPORTANT:** Before attempting to raise any vehicle, check vehicle service manual for recommended lifting surfaces.

# OPERATING INSTRUCTIONS



This is the safety alert symbol used for the OPERATING INSTRUCTIONS section of this manual to alert you to potential personal injury hazards. Obey all instructions to avoid possible injury or death. **IMPORTANT:** Before attempting to raise any vehicle, check vehicle service manual for recommended lifting surfaces.

## OPERATION

1. Put vehicle transmission in park or in gear and then apply the emergency brake.  
**To raise load:** Turn the handle in a clockwise direction until tight. Position the jack under the load. Proceed to pump the handle in order to raise the lift arm to the load. As the saddle at the end of the lift arm gets closer to the load, reposition the jack so the saddle will contact the load firmly and the load is centered on the saddle. Make sure the saddle is correctly positioned. Raise the load to the desired work height. Place jack stands of appropriate capacity at the vehicle manufacturers's recommended support areas that provide stable support for the raised vehicle. **DO NOT CRAWL UNDER VEHICLE WHILE LIFTING VEHICLE OR PLACING OR REMOVING THE JACK STANDS!** Once jack stands are positioned, turn the jack handle VERY SLOWLY in a counterclockwise direction to lower the load to rest on the jack stands. Inspect the relationship between the jack stands and load to make sure the setup is stable and safe. If the setup is not stable or safe, follow the preceding steps until corrected.
2. **To lower load:** Follow the procedures mentioned in "To raise load" section of the OPERATING INSTRUCTIONS in order to raise the load off the jack stands. **DO NOT CRAWL UNDER VEHICLE WHILE LIFTING VEHICLE OR PLACING OR REMOVING THE JACK STANDS!** Once the load has cleared the jack stands, remove the jack stands from under the load and away from the work area. Turn handle very slowly in a counterclockwise direction until the load is completely lowered to the ground. Once the jack's lifting saddle has cleared the load, remove the jack from under the load. **CAUTION:** Keep hands and feet away from the hinge mechanism of the jack.

## PREVENTATIVE MAINTENANCE



This is the safety alert symbol used for the PREVENTATIVE MAINTENANCE section of this manual to alert you to potential personal injury hazards. Obey all instructions to avoid possible injury or death.

1. Always store the jack in a well protected area where it will not be exposed to inclement weather, corrosive vapors, abrasive dust, or any other harmful elements. The jack must be cleaned of sand, grit, oil, grease or other foreign matter before using.
2. The jack must be lubricated periodically in order to prevent premature wearing of parts. A general purpose grease must be applied to caster wheels, front axle, elevator arm, handle base pivot bolts, release mechanism and all other bearing surfaces. Worn parts resulting from inadequate or no lubrication are not eligible for warranty consideration. See page 4 for lubrication instructions.

**IMPORTANT:** In order to prevent seal damage and jack failure, never use alcohol, hydraulic brake fluid, or transmission oil in the jack. Use hydraulic jack oil, a light turbine oil, Chevron AW ISO 32 or Unocal Unax AW 150.

3. Every jack owner is responsible for keeping the jack labels clean and readable. Use a mild soap solution to wash external surfaces of the jack but not any moving hydraulic components.
4. Inspect the jack before each use. Do not use the jack if any component is cracked, broken, bent, shows sign of damage or leaks hydraulic fluid. Do not use the jack if it has loose or missing hardware or components, or is modified in any way. Take corrective action before using the jack again.

## PROPER STORAGE

It is recommended that the jack be stored in a dry location with all wheels touching the ground on a relatively level surface.

## TROUBLESHOOTING

Important: Service jacks are self-contained devices used for lifting, but not sustaining, a partial vehicular load. In accordance with ASME PASE-2019 Load Sustaining Test: "A load not less than the rated capacity...shall not lower more than 1/8" (3.18mm) in the first minute, nor a total of 0.1875" (4.76mm) in 10 minutes." Lowering within this range is considered normal operation and is NOT a warrantable defect.

PROBLEM	ACTION
1. Unit will not lift rated load.	Purge air from hydraulic system by following procedure under SETUP.
2. Unit will not sustain rated load or feels "spongy" under rated load.	Purge air from hydraulic system as above.
3. Unit will not lift to full height.	Purge air from hydraulic system as above.
4. Unit will not lower completely.	Check oil level. Make sure hydraulic system is not overfilled.
5. Handle tends to raise up while the unit is under rated load.	Pump the handle rapidly several times to push oil past ball valves in power unit.
6. Unit still does not operate.	Contact customer service (page 6).

# HYDRAULIC MAINTENANCE GUIDE

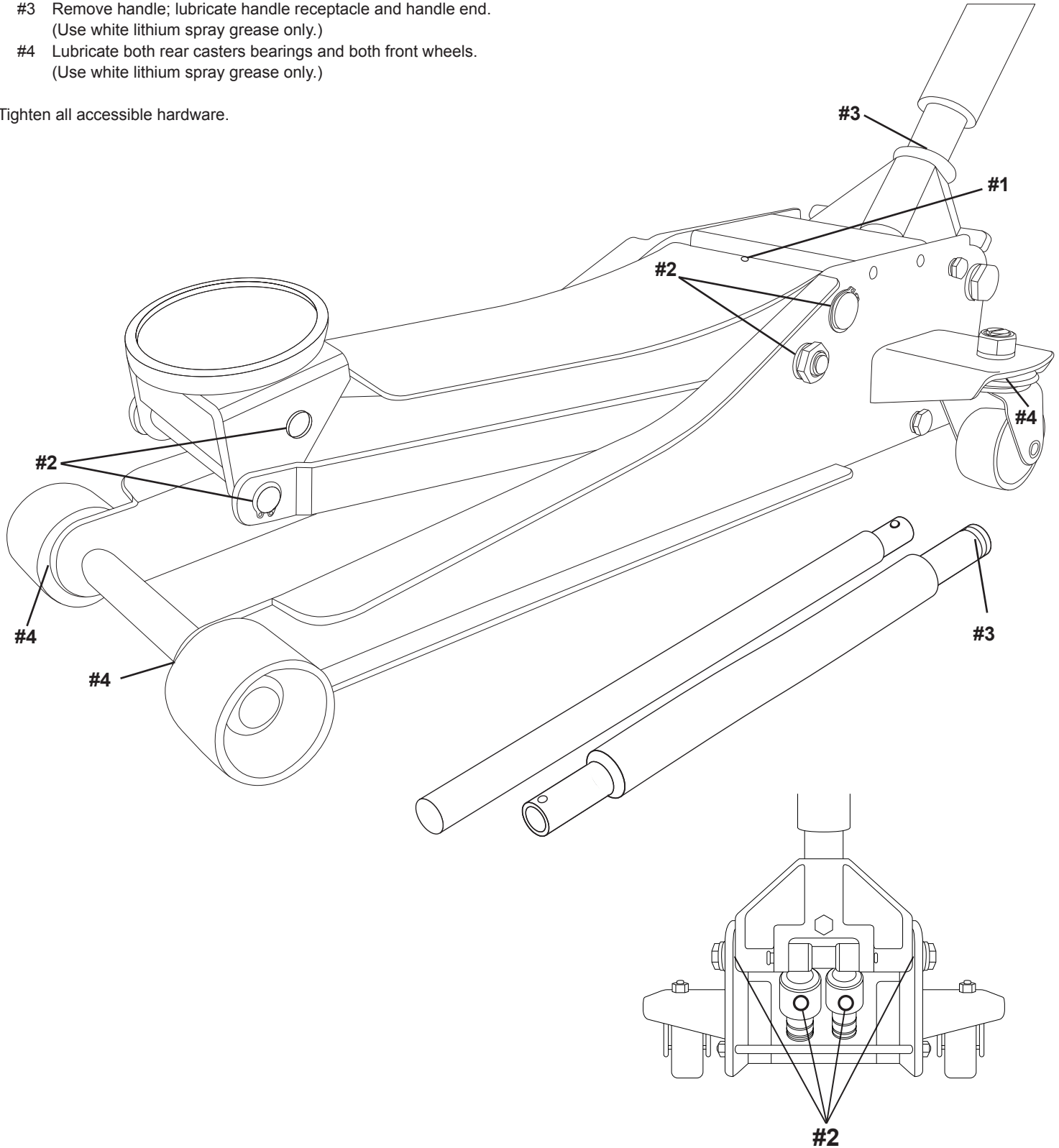
**IMPORTANT:** Service jacks are designed for lifting purposes only; always support raised load with jack stands.

## REGULAR MAINTENANCE

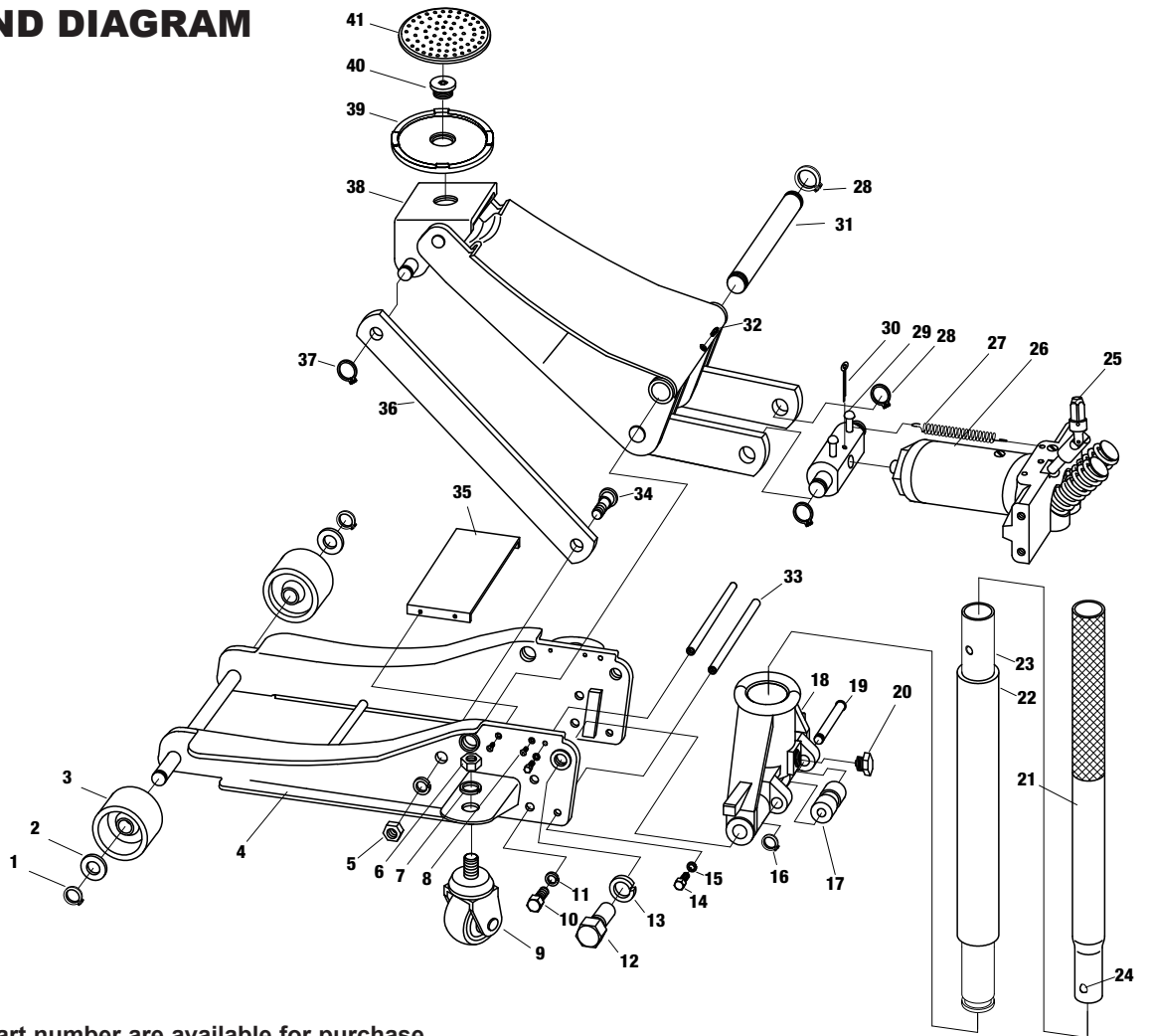
### MONTHLY or as necessary (depending on usage)

- #1 Using a grease gun, add grease to grease fitting in the lift arm pivot shaft.  
(Use a multi-purpose NLGI type grease only.)
- #2 Lubricate all linkages and pivot points.  
(Use white lithium spray grease only.)
- #3 Remove handle; lubricate handle receptacle and handle end.  
(Use white lithium spray grease only.)
- #4 Lubricate both rear casters bearings and both front wheels.  
(Use white lithium spray grease only.)

Tighten all accessible hardware.



# PARTS LIST AND DIAGRAM



Only items identified by part number are available for purchase.

Item No	Part No.	Description	Qty	Item No	Part No.	Description	Qty
1		Retainer Ring 20	2	22	RS35T20NL	Handle Bumper	1
2		Washer	2	23	RS300012	Lower Handle	1
3	RS300002	Front Wheel	2	24	RS1300216	Handle Button	1
4		Frame	1	25		U-Joint	1
5		Nut M16 (thinner)	2	26	RS300009	Power unit	1
6		Nut M16	2	27	RS300010	Return Spring	2
7		Washer 16	4	28		Retainer Ring 25	4
8		Bolt M5X12	4	29		Linkage Block	1
9	RS300003	Rear Caster Assembly	2	30		Cotter Pin	1
10		Bolt M10X22	4	31		Lift Arm Axle	1
11		Washer 10	4	32		Grease Fitting	1
12		Yoke Bolt	2	33		Cross Bar	2
13		Washer 18	2	34		Link Rod Bolt	2
14		Bolt M8X20	4	35		Cover Plate	1
15		Washer 8	4	36		Link Rod	2
16		Retainer Ring 12	1	37		Retainer Ring 16	2
17		Roller	1	38		Lift Arm	1
18	RS300005	Yoke	1	39		Saddle	1
19		Roller pin	1	40	RS300011	Saddle Bolt	1
20	RS300006	Yoke Set Screw	1	41	RS35T05B	Saddle Pad	1
21	RS300007	Upper Handle	1	N/S	RSXL3000PLK	Product Label Kit	1

## SPECIFICATIONS

Capacity:	3 Ton (2,721 kgs.)
Minimum Lift Height:	3 in. (78 mm)
Maximum Lift Height:	19.72 in. (500 mm)
Lifting Range:	16.72 in. (425 mm)
Caster Wheel Size:	2.6 in. x 1.18 in. (65 mm x 30 mm)
Front Wheel Size:	2.36 in. x 1.97 in. (60 mm x 50 mm)
Saddle Diameter:	4.27 in. (108 mm)
Handle Length:	45.27 in. (1150 mm)
Dimensions:	29.13 in. x 13.78 in. x 6.3 in. (740mm X 350mm X 160mm)
Net Weight:	77.16 lbs. (35 kgs.)

## LIMITED WARRANTY

### **POWERSTATION, LLC WARRANTS TO ITS CUSTOMERS THAT THE COMPANY'S POWERSTATION, LLC BRANDED PRODUCTS ARE FREE FROM DEFECTS IN WORKMANSHIP AND MATERIALS.**

PowerStation, LLC will repair or replace its PowerStation, LLC branded products which fail to give satisfactory service due to defective workmanship or materials, based upon the terms and conditions of the following described warranty plans attributed to that specific product. This product carries a ONE-YEAR warranty. During this warranty period, PowerStation, LLC will repair or replace at our option any part or unit which proves to be defective in material or workmanship.

#### **Other important warranty information:**

This warranty does not cover damage to equipment or tools arising from alteration, abuse, misuse, damage and does not cover any repairs or replacement made by anyone other than PowerStation, LLC. The foregoing obligation is PowerStation, LLCs' sole liability under this or any implied warranty and under no circumstances shall we be liable for any incidental or consequential damages.

**Note:** Some states do not allow the exclusion or limitation of incidental or consequential damages, so the above limitation or exclusion may not apply to you. If you have any questions about warranty service, please contact PowerStation, LLC. This warranty gives you specific legal rights and you may also have other rights which vary from state to state.

## **1-800-879-7316**

Monday - Friday 8:30am to 5:30pm EST  
P.O. Box 1203  
Travelers Rest, South Carolina 29690

## INFORMACIÓN DE ADVERTENCIA



Este es el símbolo de alerta de seguridad. Se utiliza para alertarlo de los peligros posibles de lesión personal. Obedezca todos los mensajes de seguridad que van después de este símbolo para evitar una lesión posible o la muerte.

### ⚠ ADVERTENCIA

ADVERTENCIA: Indica una situación peligrosa que, si no se evita, podría resultar en muerte o una lesión grave.



### IMPORTANTE: LEA ESTAS INSTRUCCIONES ANTES DE OPERARLO

ANTES DE UTILIZAR ESTE APARATO, LEA ESTE MANUAL COMPLETA Y CONCIENZUDAMENTE, ENTIENDA SUS PROCEDIMIENTOS DE OPERACIÓN, ADVERTENCIAS DE SEGURIDAD Y REQUISITOS DE MANTENIMIENTO.

Es responsabilidad del propietario asegurarse que todo el personal lea este manual antes de utilizar el aparato. También es responsabilidad del dueño del aparato mantener este manual intacto y en un lugar conveniente para que todos lo vean y lo lean. Comuníquese con Powerstation si necesita una etiqueta de reemplazo si la etiqueta del pedestal del gato no se puede leer.

## ÍNDOLE DE SITUACIONES PELIGROSAS

### ⚠ ADVERTENCIA

El uso de aparatos de elevación automotriz portátiles está sujeto a ciertos peligros que no se pueden evitar por medios mecánicos, sino únicamente si se ejerce inteligencia, cuidado y sentido común. Es esencial que el personal que tenga que ver con el uso y la operación del aparato sea cuidadoso, competente, capacitado y preparado en la operación segura del aparato y su uso adecuado cuando se dé servicio a los vehículos automotrices y sus componentes. Ejemplos de peligros son dejarlo caer, inclinarlo o que se resbalen las cargas a causa principalmente de que las cargas estén aseguradas de manera inadecuada, sobrecarga, cargas que no estén centradas, uso en superficies que no sean parejas y uso del equipo para un propósito para el cuál no se fabricó.

## MÉTODOS PARA EVITAR SITUACIONES PELIGROSAS

### ⚠ ADVERTENCIA

- Lea, estudie, entienda y siga todas las instrucciones antes de operar este aparato.
- Inspeccione el gato antes de cada uso. No use el gato si está dañado, alterado, modificado, en malas condiciones, con fuga de líquido hidráulico o es inestable por componentes sueltos o faltantes. Haga las correcciones antes de usar.
- Levante únicamente en áreas del vehículo como lo especifica el fabricante del vehículo.
- Use protección para los ojos que cumpla con las normas ANSI Z87.1 y OSHA.
- No use el gato más allá de su capacidad clasificada.
- Este es un aparato de elevación únicamente. Inmediatamente después de levantar, apoye el vehículo con pedestales (burros) para gatos capaces de sostener la carga antes de trabajar en el vehículo.
- Utilice sólo en una superficie pareja libre de obstrucciones para que el gato tenga espacio y se vuelva a reposicionar durante las operaciones de elevación y descenso.
  - Centre la carga en el soporte. Asegúrese de que el montaje sea estable antes de trabajar en el vehículo.
  - No mueva o jale el vehículo con una carretilla mientras esté en el gato.
  - No utilice adaptadores o extensores para soportes entre el cuerpo del soporte de elevación y la carga.
  - No utilice ningún adaptador a menos que lo apruebe o suministre Arcan.
  - Siempre baje el gato lenta y cuidadosamente.
  - No poner atención a estas advertencias podría resultar en lesiones personales mortales y/o daños materiales.



ADVERTENCIA: Este producto le podrá exponer a ciertos químicos, para incluir el níquel, conocidos en el Estado de California por ocasionar cáncer y defectos congénitos u otros daños a la reproducción. Para mayores informes, visite: [www.P65Warnings.ca.gov](http://www.P65Warnings.ca.gov).

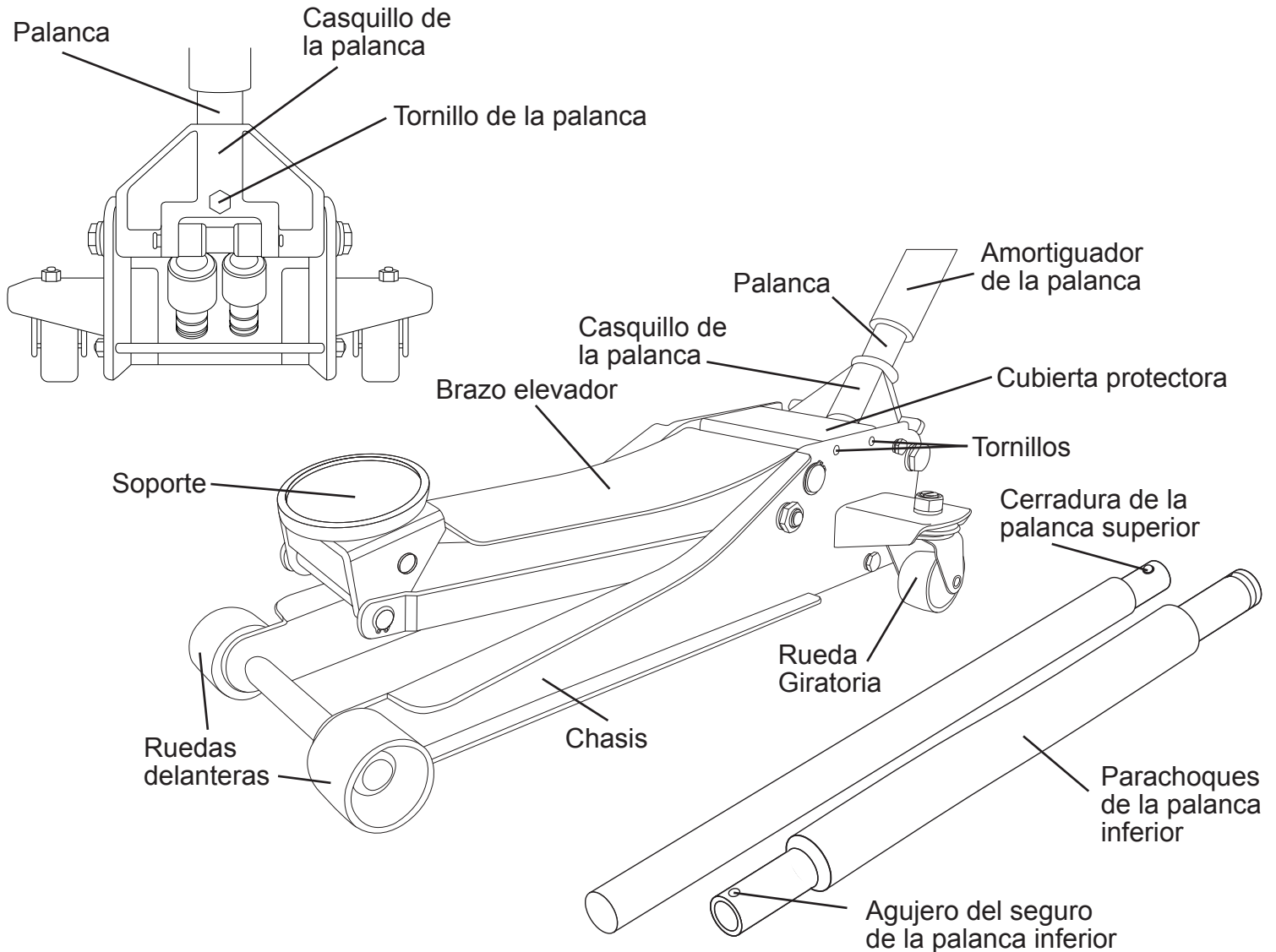
## CONSECUENCIAS POR NO EVITAR SITUACIONES PELIGROSAS

### ⚠ ADVERTENCIA

Si no lee este manual completa y concienzudamente, no entiende sus INSTRUCCIONES DE OPERACIÓN, ADVERTENCIAS DE SEGURIDAD, INSTRUCCIONES DE MANTENIMIENTO y no cumple con ellas, y si no cumple con los MÉTODOS PARA EVITAR SITUACIONES PELIGROSAS, podría ocasionar accidentes que resulten en lesiones personales graves o mortales y/o daños materiales.

## INSPECCIÓN

Se debe hacer una inspección visual antes de cada uso del gato, verificar fuga de líquido hidráulico y partes dañadas, sueltas o faltantes. Algún gato que parezca estar dañado de alguna manera, se encuentra que esté muy desgastado u opere anormalmente DEBE RETIRARSE DE SERVICIO hasta que se hagan las reparaciones necesarias.



## MONTAJE

1. Presione el seguro de la manivela superior en la manivela superior al mismo tiempo que se inserte simultáneamente el extremo de la manivela superior en la manivela inferior. Gire la manivela superior de un lado para otro una y otra vez hasta que el seguro de la manivela se asiente en el agujero del seguro de la manivela inferior.
2. Lubrique la parte interior de la abrazadera del mango con el fin de que el mango gire libremente dentro de la abrazadera. Inserte el extremo del mango inferior completamente en la abrazadera del mango hasta que se encaje con el conjunto de la válvula de liberación. Sujete el mango en la abrazadera del mango al instalar de nuevo el tornillo de la abrazadera del mango y apretarlo. Jale el mango para asegurarse que esté sujetado en la abrazadera del mango. Si el conjunto de la válvula de liberación no está girándose y/o el mango se sale al jalarse de la abrazadera del mango, repita el paso 2.
3. **IMPORTANTE:** En la mayoría de los casos, el gato debe funcionar de forma normal al sacarse de la caja, sin embargo no es inusual que se atrape aire en el sistema hidráulico del gato durante el transporte y maniobra. Hay varias indicaciones de un sistema hidráulico con aire atrapado, lo que incluye un recorrido incremental sólo parcial de la bomba, el gato no elevará la carga, el gato no sostendrá la carga o el bombeo se siente esponjoso bajo la carga. El procedimiento a continuación purgará el aire del sistema hidráulico y se requiere sólo si se experimenten algunas de las condiciones mencionadas anteriormente.
  - a) Cierre la válvula de liberación al girar el mango en el sentido de las agujas del reloj hasta que este se pare. Ahora gire el mango dos revoluciones completas en el contrasentido de las agujas del reloj y bombee el mango 10 recorridos de bomba incrementales completos.
  - b) Gire el mango en el sentido de las agujas del reloj hasta que esté apretado y bombee el brazo de levantamiento hasta su m máxima altura sin carga. Si se haya mejorado la condición de bombeo, repita los pasos a) al b) hasta que se haya purgado todo el aire del sistema.

**PRECAUCIÓN:** Con el fin de prevenir daños al sello y fallas del gato, nunca use alcohol, líquido para frenos hidráulicos, ni aceite para transmisiones en el gato. Use un aceite hidráulico para gatos, un aceite ligero para turbinas, el aceite hidráulico AW ISO 32Chevron o Unax AW 150de Unocal.

**IMPORTANTE:** Antes de intentar la elevación de cualquier vehículo, revise el manual de servicio del vehículo por superficies de levantamiento recomendadas.



## INSTRUCCIONES DE OPERACIÓN



Este es el símbolo de alerta de seguridad que se utiliza en la sección de INSTRUCCIONES DE OPERACIÓN de este manual para alertarlo de posibles peligros de lesión personal. Obedezca todas las instrucciones para evitar una lesión posible o muerte. **IMPORTANTE:** Antes de intentar levantar algún vehículo, verifique el manual de servicio del vehículo para ver las recomendaciones de superficies de elevación.

### OPERACIÓN

1. Ponga la transmisión del vehículo en "Park" o meta la velocidad y luego, aplique el freno de mano. Para levantar la carga: Dé vuelta a la palanca en dirección de las manecillas del reloj hasta que esté apretado. Posicione el gato debajo de la carga. Proceda a bombear la palanca con el fin de levantar el brazo elevador hacia la carga. A medida que el soporte al final del brazo elevador se acerque cada vez más a la carga, vuelva a posicionar el gato de manera que el soporte entre en contacto con la carga firmemente y la carga esté centrada en el soporte. Asegúrese que el soporte esté posicionado correctamente. Levante la carga a la altura deseada para trabajar. Coloque pedestales (burros) para gato de capacidad adecuada en las áreas de soporte recomendadas por el fabricante del vehículo que proporcionen apoyo estable al vehículo levantado. **¡NO SE META DEBAJO DEL VEHÍCULO MIENTRAS ESTÉ LEVANTANDO EL VEHÍCULO O COLOCANDO O QUITANDO LOS PEDESTALES PARA GATO!** Una vez que los pedestales para gato estén posicionados, volteé la palanca del gato MUY LENTAMENTE en sentido opuesto a las manecillas del reloj para bajar la carga y coloque en los pedestales para gato. Inspeccione la relación entre los pedestales para gato y la carga para asegurarse que el montaje sea estable y seguro. Si el montaje no es estable o seguro, siga los pasos anteriores hasta que se corrija.
2. Para bajar la carga: Siga los procedimientos que se mencionan en la sección "Para levantar la carga" de las INSTRUCCIONES DE OPERACIÓN para levantar y quitar la carga de los pedestales para gato. **¡NO SE META DEBAJO DEL VEHÍCULO MIENTRAS ESTÉ LEVANTANDO EL VEHÍCULO O COLOCANDO O QUITANDO LOS PEDESTALES PARA GATO!** Una vez que la carga se haya retirado de los pedestales para gato, saque los pedestales para gato de debajo de la carga y retírelos del área de trabajo. Dé vuelta a la palanca muy lentamente en dirección opuesta a las manecillas del reloj hasta que la carga se haya bajado completamente al piso. Una vez que el soporte de elevación del gato ya no tenga la carga, saque el gato de debajo de la carga. **PRECAUCIÓN:** Mantenga las manos y pies lejos del mecanismo de bisagras del gato.

### MANTENIMIENTO PREVENTIVO



Este es el símbolo de alerta de seguridad que se utiliza en la sección de MANTENIMIENTO PREVENTIVO de este manual para alertarlo de los peligros posibles de lesión personal. Obedezca todas las instrucciones para evitar lesión posible o la muerte.

1. Siempre guarde el gato en un área bien protegida en que no esté expuesto al clima inclemente, vapores corrosivos, polvo abrasivo o algún otro elemento dañino. Previo al uso, el gato deberá estar limpio de arena, arenilla, aceite, grasa u otras materias extrañas.
2. El gato debe lubricarse periódicamente con el fin de prevenir desgaste prematuro de las piezas. Debe aplicarse una grasa multiusos a las ruedas, eje delantero, brazo elevador, pasadores giratorios de la base de la palanca, mecanismo de desconexión y todas las otras superficies con rodamientos. Las piezas que se desgasten como resultado de una lubricación inadecuada o inexistente no cumplen con los requisitos de consideración de la garantía. Vea la página 10 para las instrucciones de lubricación.

**IMPORTANTE:** Para prevenir el daño y la falla del gato, nunca use alcohol, líquido de frenos hidráulicos o aceite de transmisión en el gato. Use aceite para gatos hidráulicos, un aceite ligero para turbinas, Chevron AW ISO 32 o Unocal Unax AW 150.

3. Todos los dueños son responsables de mantener las etiquetas del gato limpias y leíbles. Utilice una solución ligera con jabón para lavar las superficies externas del gato, pero no los componentes hidráulicos que se muevan.
4. Inspeccione el gato antes de cada uso. No utilice el gato si algún componente está agrietado, roto, doblado, muestra señales de daño o fugas de líquido hidráulico. No use el gato si tiene equipo o componentes sueltos o faltantes o está modificado de alguna manera. Tome acción correctiva antes de utilizar el gato nuevamente.

### ALMACENAMIENTO ADECUADO

Se recomienda que el gato se guarde en un lugar seco con todas las ruedas tocando el piso en una superficie relativamente pareja.

### LOCALIZACIÓN Y RESOLUCIÓN DE PROBLEMAS

Importante: Los gatos de servicio son aparatos auto contenidos que se utilizan para elevar, pero no para sostener, una carga vehicular parcial. De acuerdo con la Prueba para Sostener Cargas ASME PASE-2019: "Una carga que no sea menor que la capacidad clasificada...no deberá bajar más de 1/8" (3.18mm) en el primer minuto, ni un total de 0.1875" (4.76mm) en 10 minutos." Bajar dentro de este rango se considera operación normal y NO es un defecto que se pueda garantizar.

PROBLEMA	ACCIÓN
1. La unidad no elevará la carga nominal.	Expulsa el aire del sistema hidráulico al seguir el procedimiento bajo LAS MONJAGE
2. La unidad no sostendrá la carga nominal o se siente "esponjada" bajo la carga nominal.	Expulsa el aire del sistema hidráulico como indicado anteriormente. esponjoso bajo la carga.
3. El equipo no levantará la carga hasta la altura normal.	Expulsa el aire del sistema hidráulico como indicado anteriormente. Revisa que los niveles de aceite no estén ni altos ni bajos.
4. El equipo no se bajará completamente.	Revisa el nivel de aceite. Asegura que no esté sobre lleno el contenidor.
5. La manivela tiende a elevarse mientras que la unidad esté baja la carga nominal.	Sube y baja el mango rápidamente varias veces para empujar sostiene una carga. el aceite más allá de las válvulas de cojinete en el aparato de capacidad eléctrica.
6. El equipo aún no funciona.	Comuníquese con servicio al cliente.

## GUÍA DE MANTENIMIENTO HIDRÁULICO

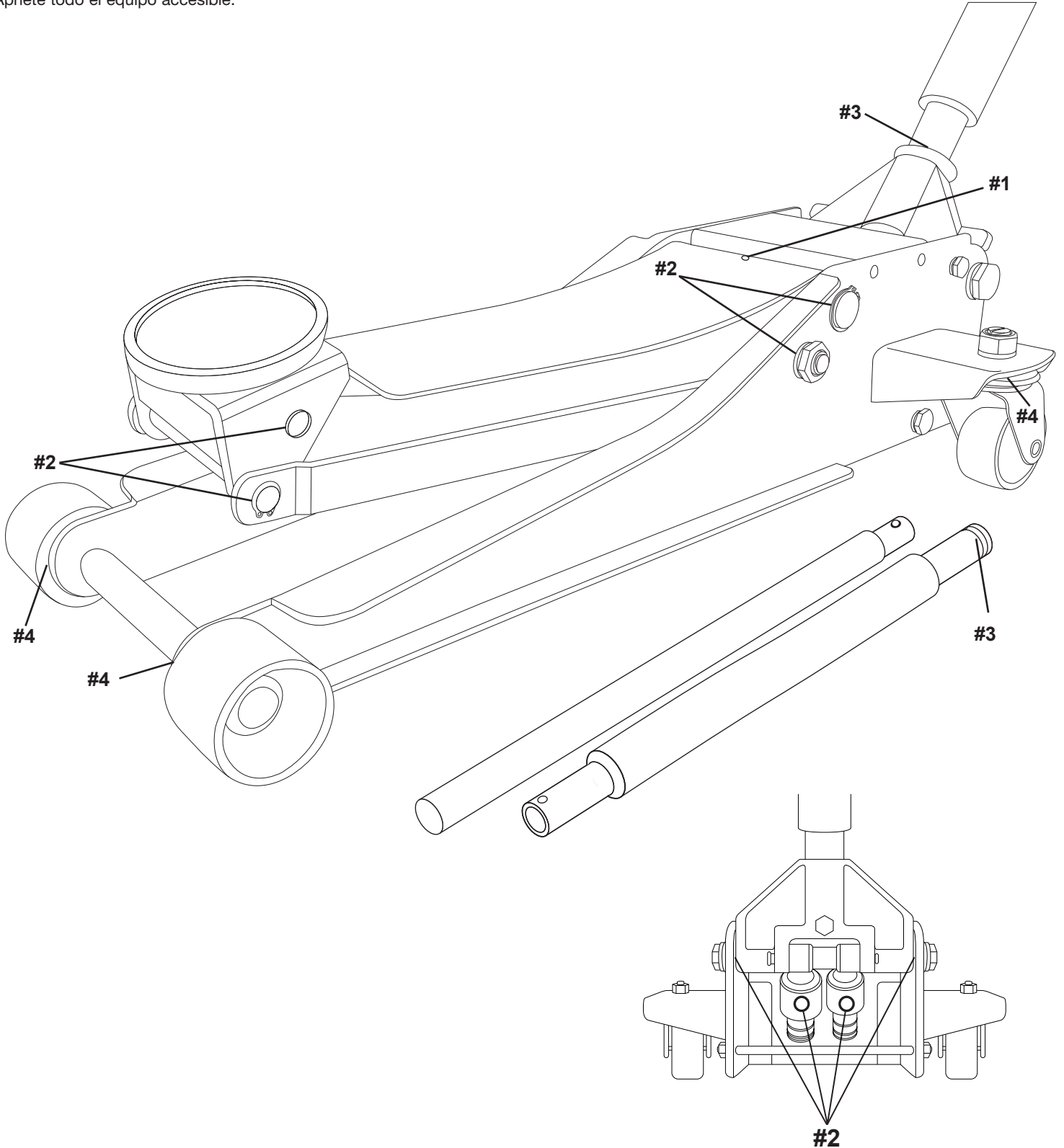
IMPORTANTE: Los gatos de servicio están diseñados para efectos de elevación únicamente; siempre apoye la carga levantada con pedestales para gato.

### MANTENIMIENTO REGULAR

#### MENSUALMENTE o según sea necesario (dependiendo del uso)

- #1 Con una pistola de grasa, engrase el accesorio en el eje giratorio del brazo elevador. (Utilice una grasa tipo NLGI multiusos únicamente).
- #2 Lubrique todas las conexiones y puntos giratorios. (Use grasa en aerosol de litio blanco únicamente.)
- #3 Quite la palanca; lubrique el receptáculo de la palanca y el extremo de la palanca. (Utilice grasa en aerosol de litio blanco únicamente.)
- #4 Lubrique ambos rodamientos de las ruedas posteriores y ambas ruedas delanteras. (Utilice grasa en aerosol de litio blanco únicamente.)

Apriete todo el equipo accesible.



## SPECIFICATIONS

Capacidad:	2721 kg (3 tonnes)
Mínima altura de elevación:	78 mm (3 in.)
Máxima altura de elevación:	500 mm (19.72 in.)
Rango de elevación:	425 mm (16.72 in.)
Tamaño de la rueda giratoria:	65 mm x 30 mm (2.6 in. x 1.18 in.)
Tamaño de la rueda delantera:	60 mm x 50 mm (2.36 in. x 1.97 in.)
Diámetro de la silla:	108 mm (4.27 in.)
Largura del mango:	1150 mm (45.27 in.)
Dimensiones:	740 mm X 350 mm X 160 mm (29.13 in. x 13.78 in. x 6.3 in.)
Peso neto:	35 kg (77.16 lb)

## GARANTÍA LIMITADA

### **POWERSTATION, LLC GARANTIZA A SUS CLIENTES QUE LOS PRODUCTOS CON LA MARCA DE LA EMPRESA POWERSTATION, LLC NO TIENEN DEFECTOS DE FABRICACIÓN Y DE LOS MATERIALES.**

PowerStation, LLC va a reparar o reemplazar sus productos con la marca PowerStation, LLC que no proporcionen un servicio satisfactorio por una fabricación o materiales defectuosos, con base en los términos y condiciones de los siguientes planes de garantía descritos que se atribuyen a ese producto específico. Este producto tiene UN AÑO de garantía. Durante este periodo de garantía, PowerStation, LLC va a reparar o reemplazar a nuestra opción alguna pieza o unidad que se demuestre que los materiales o la fabricación estén defectuosos.

#### **Otra información importante de la garantía:**

Esta garantía no cubre daños del equipo o de las herramientas que surjan por alteración, abuso, mal uso, daño y no cubre ninguna reparación o reemplazo que haya hecho alguien que no sea PowerStation, LLC. La obligación anterior es responsabilidad única de PowerStation, LLC según ésta o cualquier garantía implicada y bajo ninguna circunstancia será responsable de ningún incidente o daño consecuente.

**Nota:** Algunos estados no permiten la exclusión o limitación de daños incidentales o consecuentes, entonces, la limitación o exclusión anterior podría no corresponderle. Si tiene alguna pregunta sobre el servicio de garantía, por favor comuníquese con PowerStation, LLC. Esta garantía le da derechos legales específicos y usted también podría tener otros derechos que varían de estado a estado.

## **1-800-879-7316**

Lunes – viernes 8:30 a.m. a 5:30 p.m. Hora del este  
P.O. Box 1203  
Travelers Rest, South Carolina 29690

## AVERTISSEMENTS



Ce symbole indique un danger potentiel. Il est utilisé pour avertir l'utilisateur des risques potentiels de blessures corporelles. Prière de respecter toutes les consignes de sécurité qui suivent ce symbole afin d'éviter les blessures ou la mort potentielles.

### ⚠ AVERTISSEMENT

AVERTISSEMENT : Ce symbole indique une situation dangereuse qui pourrait causer la mort ou des blessures graves si elle n'est pas évitée.



### IMPORTANT : LIRE CES CONSIGNES AVANT L'UTILISATION.

PRIÈRE DE LIRE CES CONSIGNES ATTENTIVEMENT ET DE S'ASSURER DE BIEN COMPRENDRE LES PROCÉDURES D'UTILISATION, LES AVERTISSEMENTS DE SÉCURITÉ ET LES BESOINS EN MATIÈRE D'ENTRETIEN DE L'OUTIL AVANT DE L'UTILISER.

Le propriétaire doit s'assurer que tous les employés lisent ce manuel avant d'utiliser l'outil. Le propriétaire de l'outil doit aussi maintenir ce manuel en bon état et le ranger dans un endroit facilement accessible à tous ceux qui doivent le lire. Si le manuel ou les étiquettes de l'outil sont perdus ou illisibles, communiquer avec Powerstation pour obtenir un remplacement. Si l'utilisateur ne parle pas couramment le français, les consignes de sécurité et le mode d'emploi de l'outil devront lui être lues à haute voix et être discutées avec l'utilisateur, dans sa langue maternelle, par le propriétaire/acheteur ou une personne désignée, afin d'assurer que l'utilisateur en comprenne bien le contenu.

## LE TYPE DE SITUATIONS DANGEREUSES

### ⚠ AVERTISSEMENT

L'utilisation de dispositifs de levage portatifs pour automobiles expose l'utilisateur à certains dangers qui ne peuvent pas être évités par des moyens mécaniques, mais seulement en faisant preuve d'intelligence, d'attention et de bon sens. Il est donc essentiel que les propriétaires et les employés qui utiliseront ce dispositif soient prudents, compétents, qualifiés et formés à l'utilisation sécuritaire de l'équipement. Des exemples de dangers comprennent le renversement, le glissement ou la chute soudaine de la charge. Ces dangers sont principalement imputables à une charge mal répartie, une utilisation sur une surface meuble ou inclinée, ou une utilisation à des fins autres que celles pour lesquelles le dispositif a été conçu.

## MÉTHODES POUR ÉVITER LES SITUATIONS DANGEREUSES

### ⚠ AVERTISSEMENT

- Lire, comprendre et appliquer toutes les consignes avant d'utiliser ce dispositif.
- Inspecter le cric avant chaque utilisation. Ne pas utiliser le cric s'il est endommagé, modifié, en mauvais état, instable en raison de pièces ou de quincailleries manquantes ou lâches ou s'il y a fuite de fluide hydraulique. Effectuer les réparations ou les réglages nécessaires avant l'utilisation.
- Placer le cric uniquement aux points spécifiés par le constructeur du véhicule.
- Portez une protection oculaire qui répond aux normes ANSI Z87.1 et de l'OSHA (utilisateur et personnes à proximité).
- Ne pas dépasser la capacité nominale du cric. Éviter un effet de choc sur la charge.
- Ce dispositif sert uniquement au levage. Immédiatement après avoir levé le véhicule, placer les chandelles appropriées avant de travailler sur le véhicule.
- Utiliser le cric seulement sur une surface de niveau et solide. Celle-ci doit être exempte d'obstructions afin que le cric puisse se repositionner durant le levage et la descente.
  - Centrer la charge sur la selle. S'assurer de la stabilité de l'installation avant de travailler sur le véhicule.
  - Ne pas déplacer le véhicule lorsqu'il est supporté par le cric.
  - Ne pas utiliser de matériaux qui pourraient servir d'élévateurs, espaceurs ou extendeurs entre la charge et la selle de levage.
  - Ne pas utiliser d'adaptateurs en remplacement de la selle de levage sinon ceux fournis par le fabricant du cric ou ayant reçu son approbation.
  - Ne pas utiliser (ou modifier) ce produit pour un usage autre que celui pour lequel il a été conçu sans consulter le représentant autorisé du manufacturier.
  - L'inobservance de ces méthodes peut causer des dommages matériels, des blessures corporelles graves ou mortelles, ou les deux.



**AVERTISSEMENT:** Ce produit peut vous exposer à des produits chimiques y compris le nickel, reconnu par l'État de la Californie comme causant le cancer et des anomalies congénitales ou d'autres effets nuisibles sur la reproduction. Pour de plus amples informations, aller à [www.P65Warnings.ca.gov](http://www.P65Warnings.ca.gov).

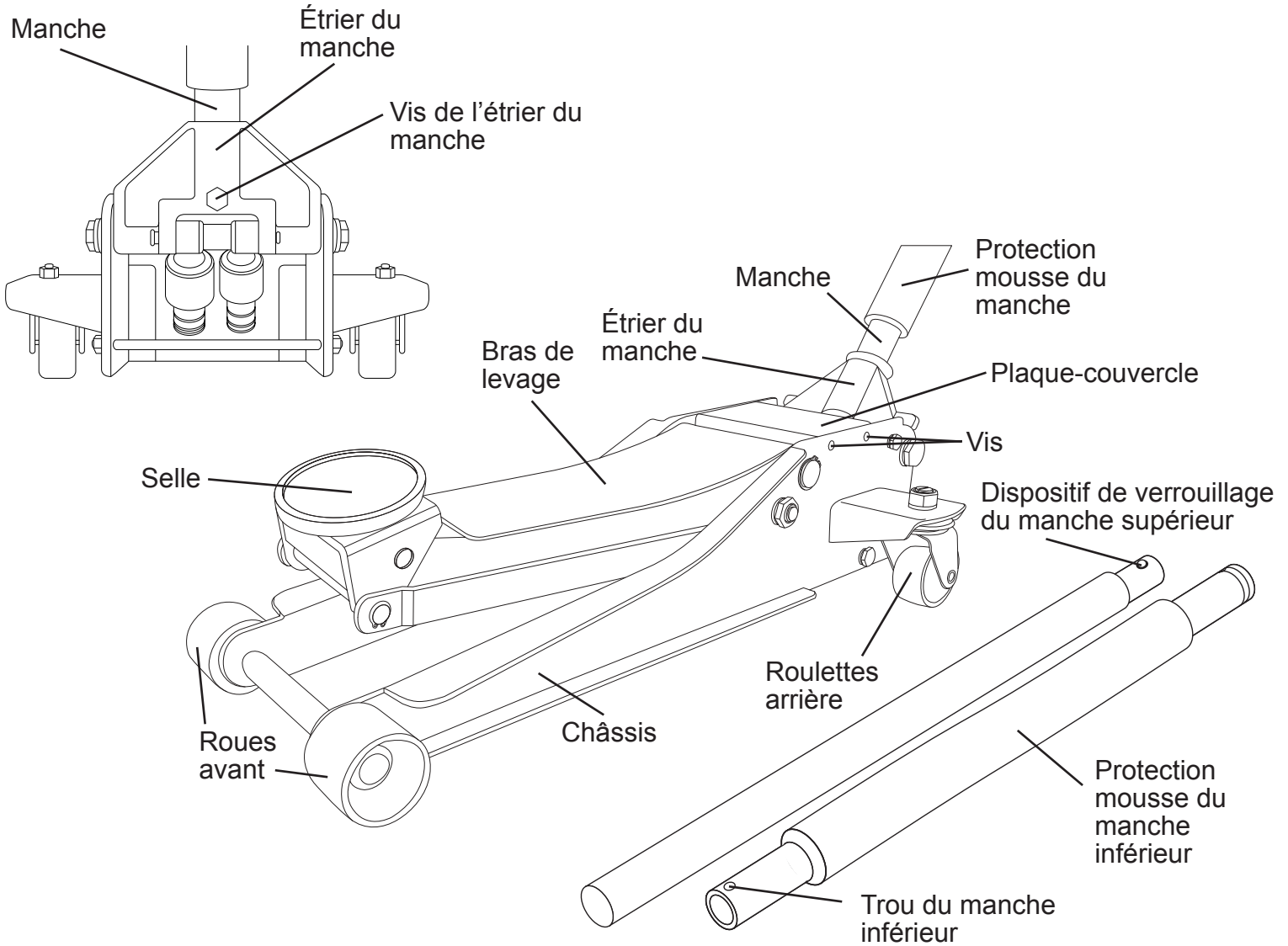
## CONSÉQUENCES EN CAS DE SITUATIONS DANGEREUSES

### ⚠ AVERTISSEMENT

L'inobservance des CONSIGNES D'UTILISATION, des MISES EN GARDE, des CONSIGNES D'ENTRETIEN ainsi que des MÉTHODES POUR ÉVITER LES SITUATIONS DANGEREUSES peut causer des accidents ayant pour conséquences des dommages matériels ou des blessures corporelles graves ou mortelles.

## INSPECTION

Assurez-vous, avant chaque utilisation, de faire une inspection visuelle du cric, en vérifiant tout particulièrement s'il y a fuite de liquide hydraulique ou des pièces qui seraient lâches ou manquantes. Un cric qui semble le moins endommagé, très usé ou qui fonctionne incorrectement DOIT CESSER D'ÊTRE UTILISÉ jusqu'à ce qu'il soit adéquatement réparé.



## INSTALLATION

1. Appuyez sur le mécanisme de verrouillage du manche supérieur tout en insérant l'extrémité de celui-ci dans le manche inférieur. Tournez le manche supérieur de gauche à droite jusqu'à ce que ce mécanisme de verrouillage ressorte par le trou de verrouillage du manche inférieur.
2. Enduisez de graisse l'intérieur de l'étrier du manche pour permettre au manche de tourner aisément dans l'étrier. Retirez la vis de l'étrier du manche. Insérez l'extrémité du manche inférieur complètement dans l'étrier du manche jusqu'à ce qu'il enclenche l'ensemble de la valve de desserrement. Fixez solidement le manche dans l'étrier du manche en réinstallant la vis de l'étrier du manche et en la resserrant. Tournez le manche pour vérifier qu'il fait tourner l'ensemble de la valve de desserrement. Tirez sur le manche pour vous assurer qu'il est fixement attaché dans l'étrier du manche. Si l'ensemble de la valve de desserrement ne tourne pas et/ou si le manche se dégage de l'étrier du manche, répétez l'étape 2.
3. **IMPORTANT :** Dans la plupart des cas, le cric devrait fonctionner normalement dès sa sortie de la boîte, mais il n'est pas inhabituel que de l'air reste emprisonné dans le système pneumatique du cric lors de la manutention et de l'expédition. Un système hydraulique contenant de l'air emprisonné présente plusieurs symptômes, parmi lesquels un coup de pompe à levage partiel, un cric qui ne soulève pas sa charge ou qui ne lui conserve pas son niveau, ou encore un pompage qui apparaît spongieux sous le poids de la charge. La procédure suivante permettra de purger l'air du système hydraulique et ne doit s'appliquer que lorsqu'une des situations ci-haut mentionnées se présente.
  - a) Fermez la valve de desserrement en tournant le manche dans le sens des aiguilles d'une montre jusqu'à ce qu'il cesse de tourner. Maintenant tournez le manche dans le sens contraire des aiguilles d'une montre en lui faisant faire deux tours complets. Pompez le cric en lui donnant 10 coups de pompe progressifs.
  - b) Tournez le manche dans le sens des aiguilles d'une montre jusqu'à ce qu'il soit bien serré et pompez le bras de levage jusqu'à sa hauteur maximale sans charge. Si l'état du pompage s'est amélioré, répétez les étapes a) et b) jusqu'à ce que tout l'air ait été purgé du système.

**MISE EN GARDE :** Afin d'éviter un endommagement du joint d'étanchéité ou une défaillance du cric, n'utilisez jamais d'alcool, de liquide à frein hydraulique ou d'huile de transmission dans le cric. Utilisez plutôt de l'huile à cric hydraulique, une huile légère à turbine, l'huile hydraulique Chevron AW ISO 32 ou Unocal Unax AW 150.

**IMPORTANT :** Avant de tenter de lever un véhicule, veuillez consulter le manuel de service du véhicule pour vérifier quelles sont ses surfaces de levage recommandées.

## MODE D'EMPLOI



Ce symbole sert à identifier les risques de blessures dans la rubrique MODE D'EMPLOI. Suivre les consignes afin d'éviter les risques de blessure ou de mort.

**IMPORTANT:** Avant d'effectuer une tentative de levage d'un véhicule quelconque, consulter le manuel du propriétaire du véhicule pour en connaître les points d'appuis recommandés par le constructeur.

### MODE D'EMPLOI :

1. **Pour soulever la charge :** Tournez la poignée dans le sens des aiguilles d'une montre jusqu'à ce qu'elle soit bien serrée. Placez le cric sous la charge. Commencez à pomper la poignée afin de soulever le bras de levage jusqu'à la charge. Alors que la selle à l'extrémité du bras de levage s'approche de la charge, replacez le cric afin que la selle entre fermement en contact avec la charge et afin que la charge soit centrée sur la selle. Assurez-vous que la selle est correctement positionnée. Soulevez la charge à la hauteur de travail désirée. Placez les chandelles de la capacité appropriée aux emplacements de soutien recommandés par le fabricant du véhicule afin de fournir un soutien stable pour le véhicule soulevé. **NE RAMPEZ PAS SOUS LE VÉHICULE LORS DU SOULÈVEMENT DE CELUI-CI OU NE RETIREZ PAS LES CHANDELLES !** Une fois que les chandelles sont placées de manière appropriée, tournez la poignée TRÈS LENTEMENT. Abaissez la charge afin qu'ils reposent sur les chandelles. Inspectez le rapport entre les chandelles et la charge afin de vous assurer que l'installation est stable et sécuritaire. Si l'installation n'est pas stable ou sécuritaire, suivez les étapes précédentes jusqu'à ce que la situation soit corrigée.
2. **Pour abaisser la charge :** Suivez les procédures mentionnées dans la section « Pour soulever la charge » des INSTRUCTIONS D'UTILISATION afin de soulever la charge hors des chandelles. **NE RAMPEZ PAS SOUS LE VÉHICULE LORS DU SOULÈVEMENT DE CELUI-CI OU NE RETIREZ PAS LES CHANDELLES !** Une fois que la charge a libéré les chandelles, retirez les chandelles de dessous la charge et loin de la zone de manoeuvre. Tournez la poignée très lentement dans le sens contraire des aiguilles d'une montre jusqu'à ce que la charge soit complètement abaissée au sol. Une fois que la selle de levage du cric a libéré la charge, retirez le cric du dessous de la charge. **ATTENTION :** Gardez les mains et les pieds hors de portée du mécanisme de charnière du cric. **NE RAMPEZ PAS SOUS LE VÉHICULE LORS DU SOULÈVEMENT DE CELUI-CI OU NE RETIREZ PAS LES CHANDELLES !**

## ENTRETIEN PRÉVENTIF



Ce symbole sert à identifier les risques de blessures dans la rubrique ENTRETIEN PRÉVENTIF. Suivre les consignes afin d'éviter les risques de blessure ou de mort.

1. Toujours ranger le cric dans un endroit bien protégé des intempéries, des vapeurs corrosives, de la poussière abrasive ou de tout autre élément dommageable. Le cric doit être exempt de sable, de saletés, d'huile, de graisse ou de tout autre matériau étranger avant l'utilisation.
2. Le cric doit être lubrifié périodiquement afin d'éviter l'usure prématurée des pièces. Une graisse à usage général doit être appliquée sur tous les embouts graisseurs, les roulettes, l'essieu avant, le bras de levage, l'axe d'articulation du support du manche, le mécanisme de dégagement et toutes les surfaces portantes. Les pièces usées résultant d'une lubrification insatisfaisante ou d'aucune lubrification ne sont pas admissibles à la garantie. Pour des instructions de lubrification, consultez la page 15.
3. Il n'est pas nécessaire de remplir ou de rajouter du fluide hydraulique dans le réservoir, sauf si une fuite externe est détectée. En cas de fuite externe alors que le cric est toujours sous garantie, rapporter le cric dans n'importe quel magasin pour une réparation ou un remplacement sous garantie.

**IMPORTANT:** Afin de ne pas endommager les joints d'étanchéité et entraîner le bris du cric, ne jamais utiliser d'alcool, de liquide pour freins ou d'huile pour transmission dans le cric. Utiliser l'huile de chevron hydraulique AW ISO 32 ou son équivalent Unocal Unax AW 150.

4. Il incombe au propriétaire du cric de garder propres et lisibles les étiquettes du cric. Laver les surfaces externes du cric à l'aide d'un savon doux, tout en évitant les pièces hydrauliques mobiles.
5. Une inspection visuelle du cric devrait être effectuée avant chaque utilisation. Ne pas utiliser le cric si des pièces présentent des signes de dommages tels que des fissures, des fuites ou des pièces endommagées, déformées ou manquantes. Ne pas utiliser le cric si des pièces sont manquantes, lâches ou ont été modifiées d'une façon quelconque. Effectuer les correctifs nécessaires avant d'utiliser le cric à nouveau.
6. Toute modification, réparation, ou les deux, effectuée par une personne non autorisée entraînera l'annulation de la garantie.

## ENTREPOSAGE ADÉQUAT

Il est conseillé d'entreposer le cric dans un endroit sec; toutes les roues doivent être en contact avec le sol sur une surface relativement rigide.

## DÉPANNAGE

**Important :** Les crics de levage sont des mécanismes autonomes qui servent à soulever des charges et non à soutenir une charge partielle de véhicule. Conformément à normes de l'ASME PASE-2019, portant sur le test de soutien d'une charge : « Une charge qui ne dépasse pas la capacité nominale...ne s'abaissera pas de plus 3,18 mm (1/8 po) la première minute, et ne s'abaissera pas de plus de 4,76 mm (0,1875 po) au bout de 10 minutes. » Une fuite en-deçà de cette marge est considérée normale et n'est pas considérée comme un vice de fabrication pouvant se réclamer de la garantie.

PROBLÈME	ACTION
1. L'appareil ne lève pas la charge nominale.	Purger l'air du système hydraulique en suivant la procédure selon la configuration.
2. L'appareil ne supporte pas la charge nominale ou donne l'impression d'être spongieux sous la charge nominale.	Purger l'air du système hydraulique comme mentionné ci-dessus.
3. L'unité ne lèvera pas à hauteur complète.	Purger l'air du système hydraulique comme mentionné ci-dessus ou vérifier le niveau de l'huile dans le réservoir.
4. La poignée tend à augmenter vers le haut tandis que l'unité est sous la charge.	Pompez la poignée rapidement plusieurs fois de pousser l'huile après des robinets à tournant sphérique dans l'unité de puissance.
5. Le manche tend à lever lorsque l'appareil porte une charge nominale.	Veillez communiquer avec le service à la clientèle (page 16).
6. Unit still does not operate.	Contact customer service (page 6).

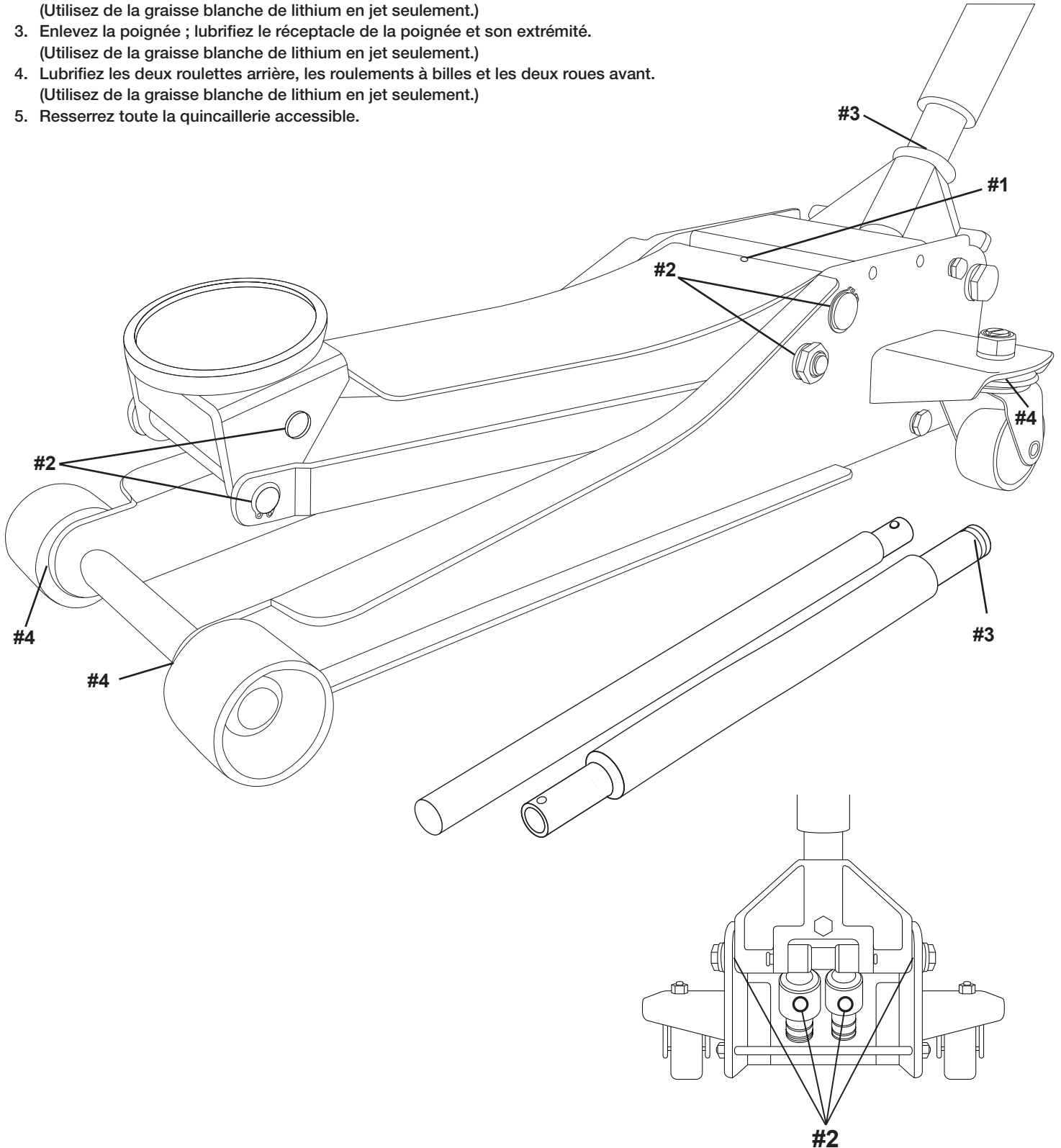
# GUIDE D'ENTRETIEN DE CRIC HYDRAULIQUE

**IMPORTANT :** Les crics de service sont conçus pour le levage seulement; toujours soutenir la charge soulevée à l'aide de support de cric.

## ENTRETIEN RÉGULIER

### • Mensuellement ou selon les besoins (selon l'utilisation)

1. En utilisant un pistolet graisseur, ajoutez de la graisse par l'embout de graissage de graisse dans l'axe de pivot du bras de levage.  
(Utilisez seulement un type de graisse à usage multiple NLGI.)
2. Lubrifiez toutes les tringleries et points de pivot.  
(Utilisez de la graisse blanche de lithium en jet seulement.)
3. Enlevez la poignée ; lubrifiez le réceptacle de la poignée et son extrémité.  
(Utilisez de la graisse blanche de lithium en jet seulement.)
4. Lubrifiez les deux roulettes arrière, les roulements à billes et les deux roues avant.  
(Utilisez de la graisse blanche de lithium en jet seulement.)
5. Resserrez toute la quincaillerie accessible.



## SPÉCIFICATIONS

Capacité :	2721 kg (3 tonnes)
Hauteur de levage minimale :	78 mm (3 po)
Hauteur de levage maximale :	500 mm (19,72 po)
Amplitude de levage :	425 mm (16,72 po)
Taille de la roulette pivotante :	65 mm x 30 mm (2,6 po x 1,18 po)
Taille de la roue avant :	60 mm x 50 mm (2,36 po x 1,97 po)
Diamètre de la selle :	108 mm (4,27 po)
Longueur du manche :	1150 mm (45,27 po)
Dimensions :	740 mm X 350 mm X 160 mm (29.13 po x 13.78 po x 6.3 po)
Poids net :	35 kg (77,16 lb)

## GARANTIE LIMITÉE

### **POWERSTATION, LLC GARANTIT À SES CLIENTS QUE LES PRODUITS BREVETÉS POWERSTATION, LLC DE LA COMPAGNIE SONT EXEMPTS DE TOUT DÉFAUT DE MAIN-D'ŒUVRE OU DE MATÉRIAU.**

PowerStation, LLC remplacera ou réparera ses produits brevetés PowerStation, LLC qui ne fournissent pas le service escompté en raison de défectuosité de main-d'œuvre ou de matériau, selon les termes et conditions attribués à tel produit spécifique et spécifiées dans les plans de garantie décrits ci-après. Ce produit bénéficie d'une garantie d'UN AN. Pendant cette période, PowerStation, LLC réparera ou remplacera à sa discrétion toute pièce ou unité qui s'avère défectueuse en main-d'œuvre ou en matériau.

#### **Autre information importante concernant la garantie :**

Cette garantie ne couvre pas les dommages causés à de l'équipement ou des outils à la suite d'altérations, de mauvais usage, de mauvais traitement ou de bris et ne couvre aucun remplacement ou réparation effectuée par quiconque à part PowerStation, LLC. Cette obligation est l'entière responsabilité de PowerStation, LLC en vertu de cette garantie ou de toute autre garantie implicite, et PowerStation, LLC ne peut en aucun cas être tenu responsable de dommages indirects ou accessoires.

**Note :** Certaines provinces ne permettent pas l'exclusion ou la limitation de dommages indirects ou accessoires, il est donc possible que l'exclusion ou la limitation ci-dessus ne s'applique à vous. Si vous avez des questions au sujet de cette garantie, veuillez communiquer avec PowerStation, LLC. Cette garantie vous confère des droits spécifiques. Vous pourriez aussi avoir des droits qui varient d'une province à l'autre.

### **PowerStation, LLC**

**1-800-879-7316**

Lundi au vendredi de 9h00 à 17h00 HNE

B.P. Box 1203

Travelers Rest, South Carolina 29690



### 警告情報



安全警告のマークです。人身傷害を負う可能性のある危険を警告するものです。傷害や死亡事故を防ぐため安全警報の記号に従ってください。



警告

警告：回避しないと死亡または重大な傷害につながる可能性のある危険な状態を説明しています。



重要：ご使用前に本取扱説明書をお読みください。

本装置をご使用になる前に、取扱説明書を必ずお読みになり、操作手順、注意事項、およびメンテナンス要目を十分ご理解の上ご使用ください。

所有者は、ジャッキ使用者全員が使用前に必ず本取扱説明書を読んでいることを、責任を持ってご確認ください。また、本取扱説明書は使用者がいつでも見られる場所に大切に保管してください。ジャッキのラベルが読めない状態の場合は、**PowerStation** 宛にラベルをご請求ください。

### 危険な状態について



警告

車両用ジャッキの使用には、技術的手段では回避できないが、思考力、注意力および常識を持ってのみ防止できる特定の危険性が伴います。車両およびその部品にジャッキを使用する際には、ジャッキの安全操作および適切な使用方法について訓練経験があり、資格を有する慎重な人がジャッキの使用および操作を行うことが重要です。危険な使用例として、不適切なジャッキアップ、オーバーロード、中心から外れたジャッキアップ、硬く平らな床面以外での使用、およびジャッキアップ以外の目的での使用などから生じる、落下、転倒またはスリップなどがあります。

### 危険を避ける方法



警告

- ・ ジャッキの操作前に本取扱説明書をよくお読みになり、ご理解いただき、説明書に従ってください。
- ・ ご使用ごとにジャッキを点検してください。ジャッキに損傷、変更、改造、コンディション不良、油圧オイル漏れがある場合、または部品の緩みや紛失でジャッキが不安定な場合は、ジャッキを使用しないでください。使用前にこれらの状態を修理してから使用してください。
- ・ ジャッキアップは、車両メーカーの指定する車両部分でのみ行ってください。
- ・ 使用者、見物人共に、ANSI規格Z87.1およびアメリカ労働安全衛生局（OSHA）の基準を満たす安全ゴーグルを使用してください。
- ・ 定格能力以上の負荷をかけてジャッキを使用しないでください。ジャッキアップした車両に衝撃を与えないでください。
- ・ 本ジャッキはジャッキアップのみを目的としています。ジャッキアップ後は、直ちに車両の保持が可能なジャッキスタンドを用いて車両をサポートしてから、車両への作業を開始してください。
- ・ ジャッキアップ、ジャッキダウンの際にジャッキ自体が動かぬよう、傷害物のない固く平らな床面でのみジャッキ操作を行ってください。
- ・ サドルの中心にジャッキアップポイントを設定してください。車両のジャッキアップ作業に取り掛かる前に、車両が安定してサドルに設置されていることを確認してください。
- ・ 車両がジャッキに乗っている間は、車両の移動やジャッキでの搬送を行わないでください。
- ・ サドルと車両の間に、ライザー、スペイサーまたは延長具として機能するものを使用しないでください。
- ・ ジャッキメーカーが承認または供給する以外のアダプターを、サドルを上げるストックの代わりに使用しないでください。
- ・ メーカー責任者への相談なく、本製品を使用目的以外に使用または改造しないでください。
- ・ ジャッキダウンは常にゆっくり慎重に行ってください。
- ・ 本警告内容への注意を怠った場合、生死に関わる傷害や物的傷害に繋がる恐れがあります。



警告：本製品は、カリフォルニア州で指定されている発癌性、先天異常、または他の生殖傷害を起こす可能性のあるニッケルなどの化学物質を含んでいる可能性があります。詳しくは[www.P65Warnings.ca.gov](http://www.P65Warnings.ca.gov) をご覧ください

### 危険防止を怠った場合

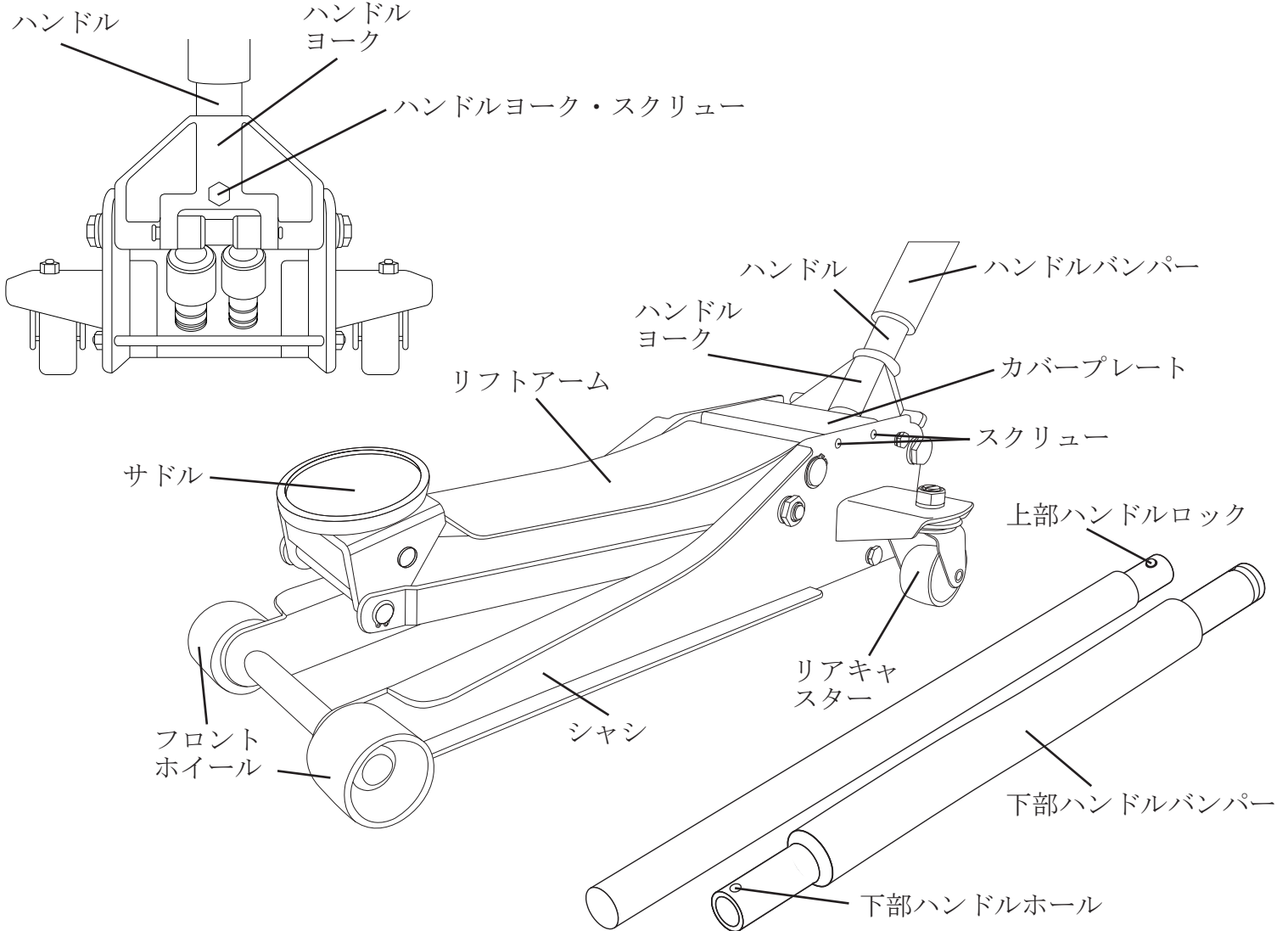


警告

本取扱説明書を十分にお読みにならず、操作説明、注意、メンテナンス要目を理解されていない場合や、危険を避ける方法に従わなかった場合、死亡もしくは重大な傷害や物的傷害に繋がる事故を起こす可能性があります。

## 操作前の点検

ジャッキをご使用になる都度、目視点検を行い、油圧オイルの漏れや部品の損傷、緩み、または紛失がないかご確認ください。ジャッキに何らかの損傷が見られる、磨耗が激しい、操作に異常がある場合は、必要な修理が完了するまでジャッキを使用しないでください。



## 組立方法

1. 上部ハンドルの先端を下部ハンドルに挿入しながら、上部ハンドルにあるハンドルロックを押してください。上部ハンドルロックが下部ハンドルロックホールの穴に合うまで、ハンドルを前後に回転させてください。
2. ハンドルがヨーク内で回転しやすいように、ハンドルヨークの内部にグリスを塗布してください。ハンドルヨーク・スクリューを外し、リリースバルブに合わさる状態になるよう、下部ハンドルの先端をハンドルヨークに最後まで押し込んでください。ハンドルヨーク・スクリューをもとに戻し、固く閉め、ハンドルをハンドルヨークに固定してください。ハンドルを回転させ、リリースバルブが回転しているかどうか確認してください。ハンドルを引いて、ハンドルがハンドルヨークに固定しているか確認してください。リリースバルブが回転しない場合や、ハンドルと共にハンドルヨークが引っ張られる場合は、2の操作を繰り返してください。
3. **重要**：商品到着後、通常ジャッキはすぐ使用できる状態になっていますが、配送中に油圧システム内に空気が溜まってしまふことがあります。油圧システム内に空気が溜まった場合、ポンプストローク回数の多少の増加、ジャッキアップできない、ジャッキアップの状態を保持できない、または負荷をかけるとポンプがフワフワするなどの症状があります。このような症状がある場合のみ、以下の手順に従い、油圧システムから空気の除去を行ってください。
  - a) ハンドルが止まるまで時計回りに回し、リリースバルブを閉じてください。停止した後、ハンドルを反時計回りに回し、全回転を2回行ってください。最大ストロークでジャッキを10回ポンピングしてください。
  - b) ハンドルが固くなるまで時計回りに回し、荷無しで最高位までリフトアームをポンピングしてください。ポンピングの状況が改善した場合、空気がシステムから完全に除去されるまで、a) および b) の作業を繰り返してください。

注意：溶接部の損傷やジャッキの不具合を防ぐため、アルコール、液圧ブレーキ液、またはトランスミッションオイルは絶対にジャッキに使用しないでください。ジャッキ用油圧オイル、軽タービンオイル、シェブロン油圧オイルAW ISO 32またはユノカルオイルUnax AW 150を使用してください。

重要：車両をジャッキアップする前に、車両メーカーのサービスマニュアルで指定するジャッキアップポイントを確認してください。

## 操作説明



本取扱説明書の操作説明の項で使用している安全警告マークです。傷害を負う可能性のある危険を警告しています。傷害や死亡に繋がる危険を防ぐため、説明に十分に從ってください。重要：車両をジャッキアップする前に、車両メーカーのサービスマニュアルで指定するジャッキアップポイントを確認してください。

## 操作手順

1. ギアを「パーキング」にし、サイドブレーキを引いてください。

ジャッキアップ：ハンドルが固くなるまで時計回りに回してください。ジャッキをジャッキアップポイントの下に置いてください。ハンドルをポンピングしてリフトアームを車両の高さまで上げてください。リフトアームのサドルが車両に近づいたら、サドルの中心が車両にしっかり設置されるよう、ジャッキの位置を調整してください。サドルが正確な位置にあることを確認してください。車両を必要な高さまで上げてください。ジャッキアップした車両がしっかりサポートされるよう、ジャッキスタンドを車両メーカーが指定する適切な設置場所に設置してください。車両のジャッキアップ中、ジャッキスタンドの設置中、または除去中は、車両の下に入らないでください！ジャッキスタンドを設置したら、ジャッキハンドルを反時計回りにゆっくりと慎重に回して車両をジャッキスタンドにおろしてください。設定が安定していない場合や安全でない場合は、上記の方法で安定するまで修正してください。

2. ジャッキダウン：ジャッキアップで説明した操作手順に従いジャッキスタンドから車両を外してください。車両のジャッキアップ中、ジャッキスタンドの設置中、または除去中は、車両の下に入らないでください！車両が完全にジャッキスタンドから離れたら、ジャッキスタンドを車両の下から移動し、作業場所から除去してください。車両が床面に完全に下がるまで、ハンドルを反時計回りにゆっくりと慎重に回してください。ジャッキのサドルを車両から外したら、車両の下からジャッキを除去してください。注意：ジャッキのヒンジ機構に手や足を近づけないでください。

## メンテナンス



本取扱説明書のメンテナンスの項で使用している安全警告マークです。傷害に繋がる可能性のある危険を警告しています。傷害や死亡に繋がる危険を防ぐため、説明に從ってください。

1. 厳しい気象条件、腐食性蒸気、研磨作用のある粉塵などの有害物にさらされないよう、常に安全な場所にジャッキを保管してください。ご使用前に、砂、砂粒、オイル、グリスまたはその他の異物がジャッキに付着していないことを確認してください。
2. ジャッキ部品の早期消耗を防ぐため、定期的にジャッキにグリスを塗布してください。キャスターホイール、フロント軸、エレベーターアーム、ハンドルベースのピボットボルト、リリース機構、および他のベアリング面全てに市販のグリスを塗布してください。グリスの塗布が不適切か、またはグリスの塗布をしていないために消耗した部品は保証の対象外となります。グリスの塗布方法は4ページを参照ください。

重要：溶接部の損傷およびジャッキの不具合を防ぐため、アルコール、油圧ブレーキ液、またはトランスミッションオイルは絶対にジャッキに使用しないでください。ジャッキ用油圧オイル、軽タービンオイル、シェブロン油圧オイルAW ISO 32またはユノカルオイルUnax AW 150を使用してください。

3. ジャッキ所有者は責任を持ってジャッキラベルを良い状態に保持し、いつでも読めるようにしておいてください。ジャッキの外部表面は低刺激性の洗剤で洗浄してください。稼働油圧部分は洗浄しないでください。
4. ご使用ごとにジャッキを点検してください。ジャッキの部品に亀裂、破損、湾曲、損傷の兆候、または油圧オイル漏れが見られる場合は、ジャッキを使用しないでください。ハードウェアや部品に緩みや紛失が見られる場合やジャッキに改良がある場合は、ジャッキを使用しないでください。使用前にこれらの状態を修理してから使用してください。

## 適切な保管方法

ジャッキは乾燥した場所で、ホイールが全て平らな床面に接する状態で保管してください。

## 故障点検

重要：ジャッキは、車両を部分的にジャッキアップするために使用する独立型装置で、車両をそのまま上げた状態に保持するための装置ではありません。アメリカ機械学会の耐久負荷テストによると、ジャッキに定格能力の負荷をかける場合、最初の1分間に1/8インチ（3.18ミリ）を超えてジャッキダウンしないよう、また10分間に合計で0.1875インチ（4.76ミリ）のジャッキダウンをしないよう説明しています。この範囲内でのジャッキダウンを通常操作と見なし、保証の対象となる不具合ではありません。

症状	対処方法
1. ジャッキが定格範囲の荷を持ち上げない。	設定手順に従い、油圧システムから空気を除去してください。
2. ジャッキが定格範囲の荷を保持しない、または負荷がかかるとフワフワした感触がある。	設定手順に従い、油圧システムから空気を除去してください。
3. ジャッキが最高位までジャッキアップしない。	設定手順に従い、油圧システムから空気を除去してください。
4. ジャッキが完全にジャッキダウンしない。	オイルの量をチェックし、油圧システムに過剰なオイルがないか確認してください。
5. 定格範囲の負荷がかかっている間にハンドルが上昇しようとする。	ハンドルを素早く数回ポンピングし、オイルをパワーユニットのボールバルブから押し出してください。
6. ジャッキが操作しない。	カスタマーサービスにご連絡ください（6ページ）。

# 油圧ジャッキメンテナンス方法

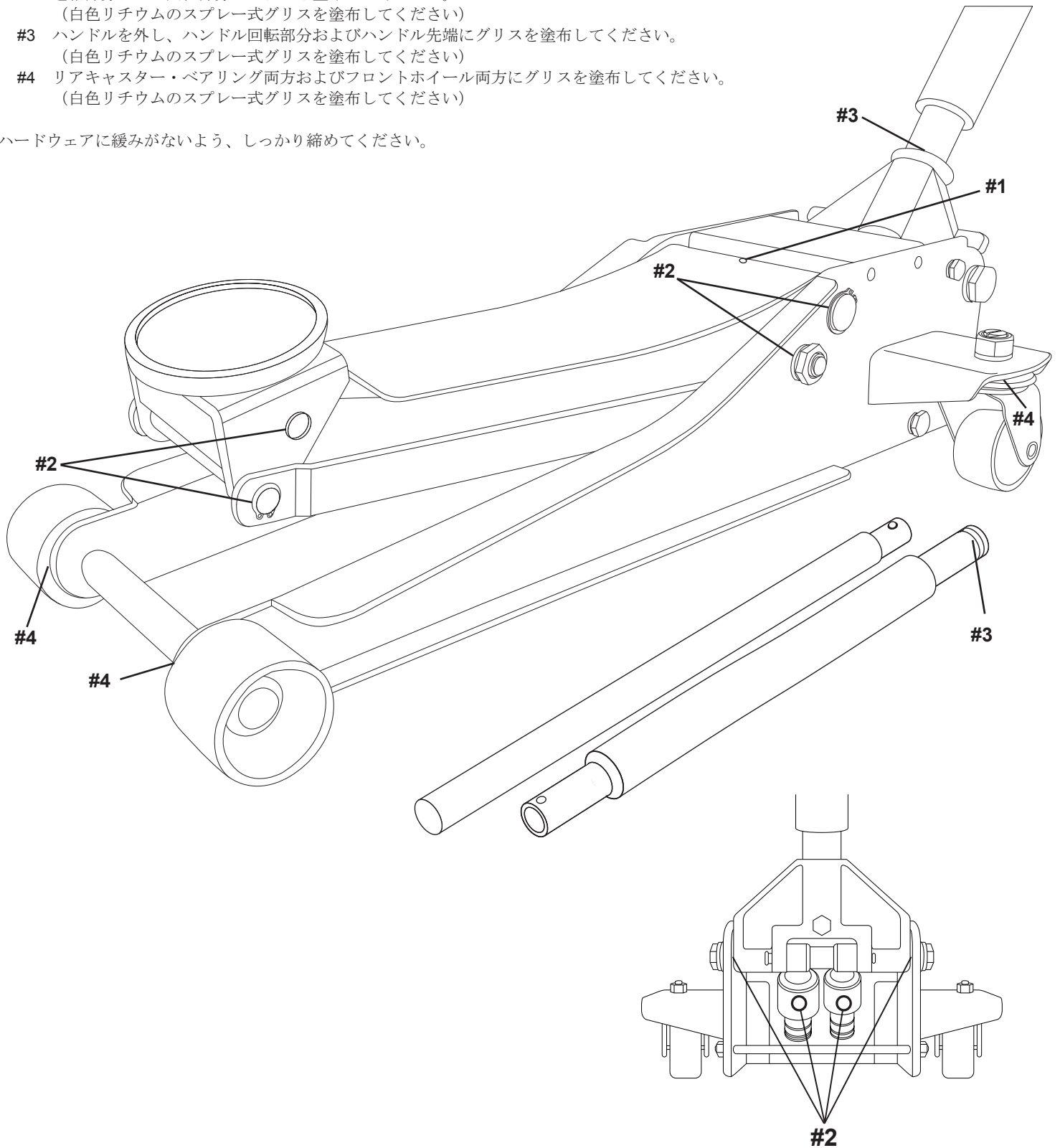
重要：ジャッキは車両を持ち上げることを目的としています。ジャッキアップした車両は必ずジャッキスタンドでサポートしてください。

## 定期メンテナンス

月毎または使用状況に応じた定期メンテナンス

- #1 リフトアーム・ピボットシャフトのグリスフィッティングにグリスガンでグリスを注入してください。  
(アメリカ潤滑グリス学会仕様の市販のグリスのみを使用してください)
- #2 連結部分および回転部分にグリスを塗布してください。  
(白色リチウムのスプレー式グリスを塗布してください)
- #3 ハンドルを外し、ハンドル回転部分およびハンドル先端にグリスを塗布してください。  
(白色リチウムのスプレー式グリスを塗布してください)
- #4 リアキャスター・ベアリング両方およびフロントホイール両方にグリスを塗布してください。  
(白色リチウムのスプレー式グリスを塗布してください)

ハードウェアに緩みがないよう、しっかり締めてください。



## 仕様

最大荷重能力：	3トン (2,721キログラム)
最低位：	3インチ (78ミリ)
最高位：	19.72インチ (500ミリ)
荷揚範囲：	16.72インチ (425ミリ)
キャスターホイールサイズ：	2.6インチ x 1.18インチ (65ミリ x 30ミリ)
フロントホイールサイズ：	2.36インチ x 1.97インチ (60ミリ x 50ミリ)
サドル直径：	4.27インチ (108ミリ)
ハンドル全長：	45.27インチ (1150ミリ)
ジャッキサイズ：	29.13インチ x 13.78インチ x 6.3インチ (740ミリ X 350ミリ X 160ミリ)
総重量：	77.16ポンド (35キログラム)

## 限定保証

**POWERSTATION, LLC**は、自社ブランド製品の技術および使用材料に不具合ないことを保証します。

**PowerStation, LLC**は、自社ブランド製品の技術または使用材料の不具合のためお客様に満足いただけない場合、以下に説明する限定保証条件に基づきその製品の修理もしくは交換をいたします。本製品には**1年間の保証期間**があります。保証期間中、部品またはジャッキ自体の使用材料または技術に不具合があることが証明された場合、**PowerStation, LLC**は独自の選択により、部品または製品の修理もしくは交換を行います。

保証に関するその他の重要事項：

代替使用、乱用、誤用、損傷から生じる装置または工具の損傷、または**PowerStation, LLC** 以外が行なった修理または交換は、本保証の適用範囲ではありません。上記保証内容は、本限定保証に基づく保証期間中に **PowerStation, LLC**が 独自の保証もしくはあらゆる黙示的保証に基づいて保証するものであり、いかなる状況においても偶発的または結果的な損傷について保証するものではありません。

**Note:** お住いの州によっては、偶発的または結果的損傷を保証範囲から除外することを許可していない場合がありますので、上記保証範囲および除外についての説明はお客様に該当しない場合があります。上記保証内容に関し、ご質問等ありましたら**PowerStation, LLC**にお問い合せください。本保証は使用者に特定な法的権利を付与するものであり、お住いの州によっては異なる権利が付与される場合があります。

**1-800-879-7316** (英語対応のみ)

月曜日～金曜日 米国東部標準時間午前**8：30**～午後**5：30**

**P.O. Box 1203**

**Travelers Rest, South Carolina 29690**