

## ASSEMBLY INSTRUCTIONS & PARTS BREAKDOWN

### Step 7: Inserting locking drawer assembly into the cart.

Before inserting the drawer into the service cart, make sure the roller bearing case is extended all the way out to the black plastic end stop to ensure proper alignment during insertion. Hold the roller bearing case in place while inserting the drawer. If necessary, adjust the drawer rails to allow the drawer to slide on smoothly.

**DO NOT FORCE THE DRAWER ONTO THE SLIDE RAILS.**

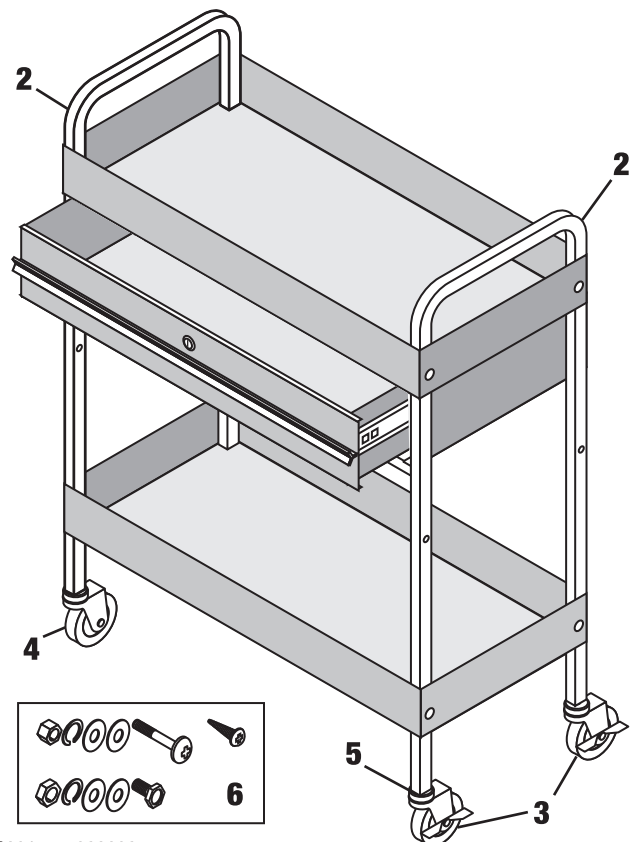
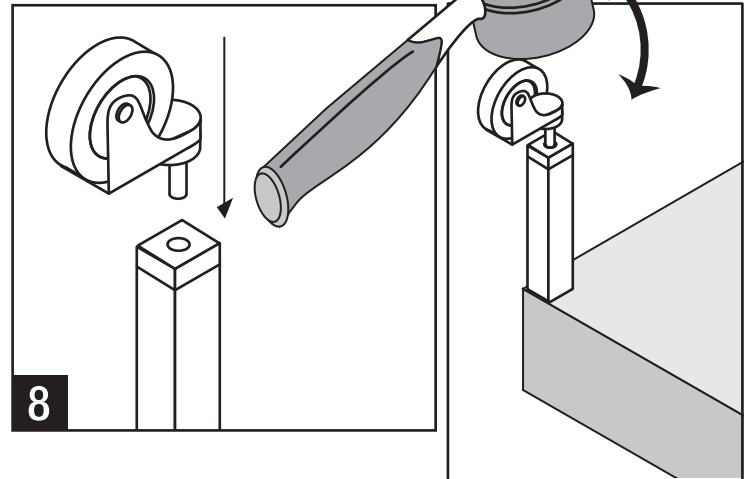
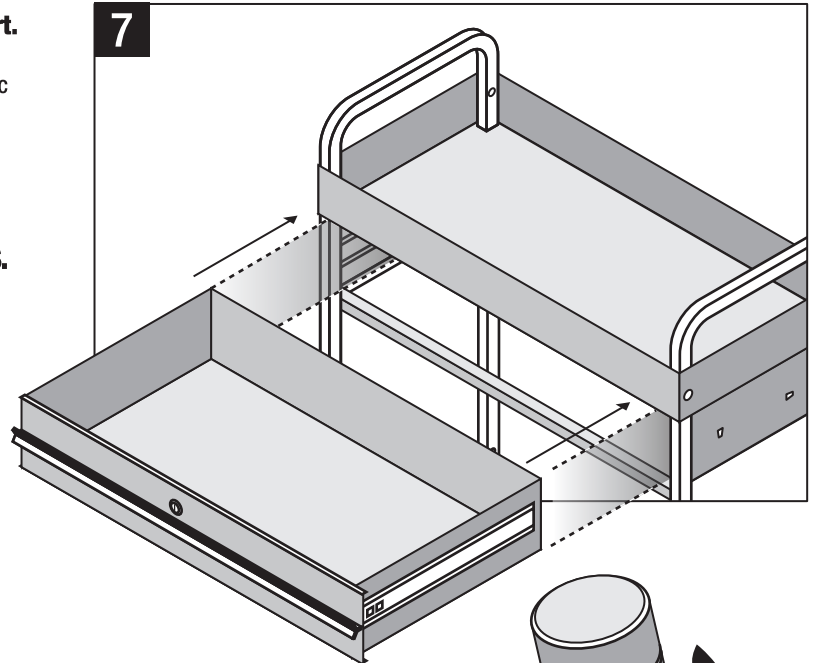
### Step 8: Attaching casters.

With the keys provided, lock the drawer assembly. Turn the cart upside down, allowing it to rest on chrome leg tops with the plastic inserts facing up.

Insert the stem of one caster into the hole in a plastic insert. Using a rubber mallet, hammer the casters into place until the stem is no longer visible. Repeat with other casters.

*NOTE:* Ensure that both locking casters are on same end of the cart.

Once casters are installed, stand cart upright. Assembly is complete.



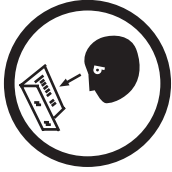
### REPLACEMENT PARTS

ITEM	PART #	# REQ'D	DESCRIPTION
2	RSSC7	2	Chrome Leg/ea.
3	RSSCPLW	2	Locking Casters/ea.
4	RSSCPW	2	Non-Locking Casters/ea.
5	RSSCPPI	1	Set of 4 Plastic Inserts
6	RSSCLDHK	1	10mm Bolts and Nuts (8 Pcs. ea.) 14mm Bolts and Nuts (8 Pcs. ea.) Lock Washers (16) Flat Washers (32) Screws (4)

### ALSO AVAILABLE

PART #	DESCRIPTION
RS8006HDL	Drawer Handle
RS8006LK	Drawer Lock with Keys
RSRBSLIDEC-2	Clip-On Roller Bearing Slide/pr.
RS8006HDLS	Handle Screws (4 Pack)

## PARTS BREAKDOWN AND OPERATING MANUAL



This operating manual contains important safety information. Read carefully and understand all information before operating tool. Save this manual for future use.

P.O. Box 58

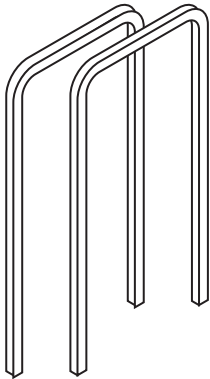
Travelers Rest, SC 29690

Phone: (800) 879-7316

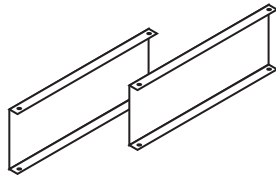
Fax: (864) 834-0073

## PARTS LIST

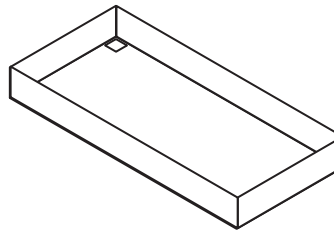
Chrome Legs (2)



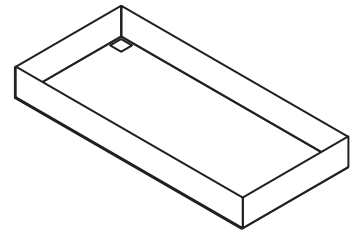
Drawer Support Side Panels (2)



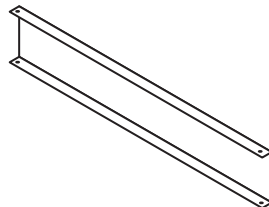
Top Shelf



Bottom Shelf



Drawer Support Back Panel

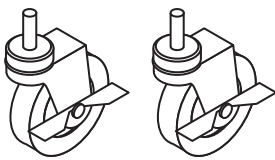


10mm Nuts, Lock Washers, and Bolts (8 Pcs. ea.)  
Flat Washers (16 Pcs.)

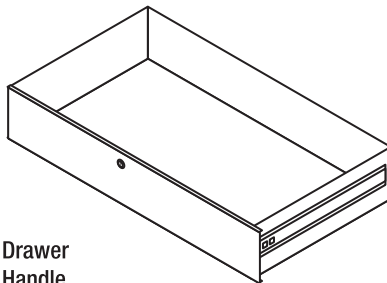


14mm Nuts, Lock Washers, and Bolts (8 Pcs. ea.)  
Flat Washers (16 Pcs.)

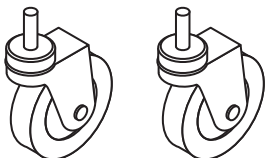
Locking Casters (2)



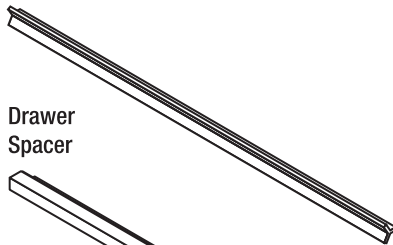
Locking Drawer Assembly



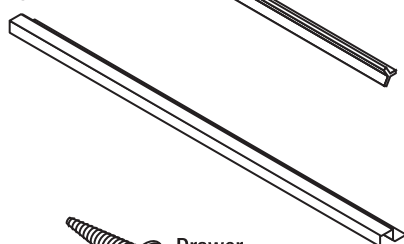
Non-Locking Casters (2)



Drawer Handle



Drawer Spacer



Keys (Attached to Drawer Lock)



Drawer Handle Screws (4)

## TOOLS NEEDED



Rubber Mallet



14mm Wrench



10mm Wrench



Ratchet with 14mm  
and 10mm sockets



Adjustable  
Wrench



Phillips Head  
Screwdriver



Table or Workbench

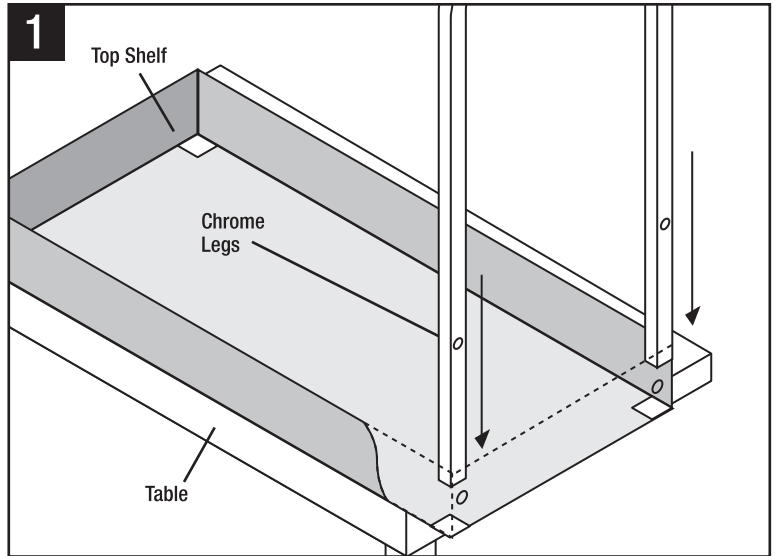


2 People

# ASSEMBLY INSTRUCTIONS

## Step 1: Assembly preparation.

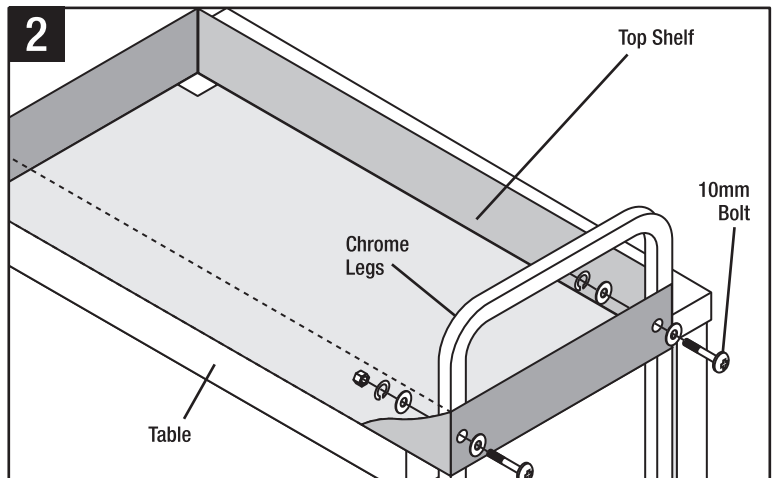
Clear table top and position a shelf so that the end hangs off of the table enough to allow the chrome legs to go through the square holes. Insert one set of chrome legs through the overhanging holes as shown in Figure 1.



## Step 2: Connecting the top shelf to the chrome legs.

Position a washer and insert a 10mm bolt through the washer, bolt hole, and leg as shown. Secure bolt with a flat washer, lock washer, and nut on the inside of the shelf.

Repeat Steps 1 and 2 for the remaining set of legs.



## Step 3: Connecting the sliding drawer side supports to the top shelf.

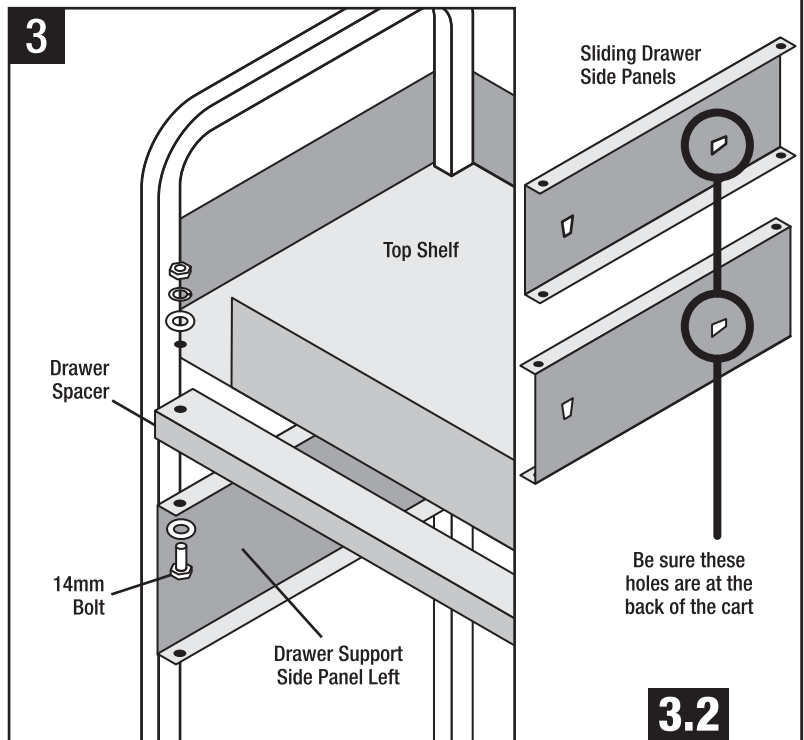
Before executing this step refer to figure 3.2 to make sure you are putting the correct drawer support side panel on the correct side.

*NOTE: The locking drawer assembly will not stay in place if the drawer support side panels are put on incorrectly.*

Position a washer and insert a 14mm bolt up through the washer, the front left side of the drawer support side panel, the front left side of the drawer spacer, and the front left hole in the top shelf. Secure bolt with a flat washer, lock washer, and nut on the inside of the top shelf. Hand tighten.

Repeat on front right side.

Once the drawer support side panels are attached to the front of the top shelf, continue to Step 4.

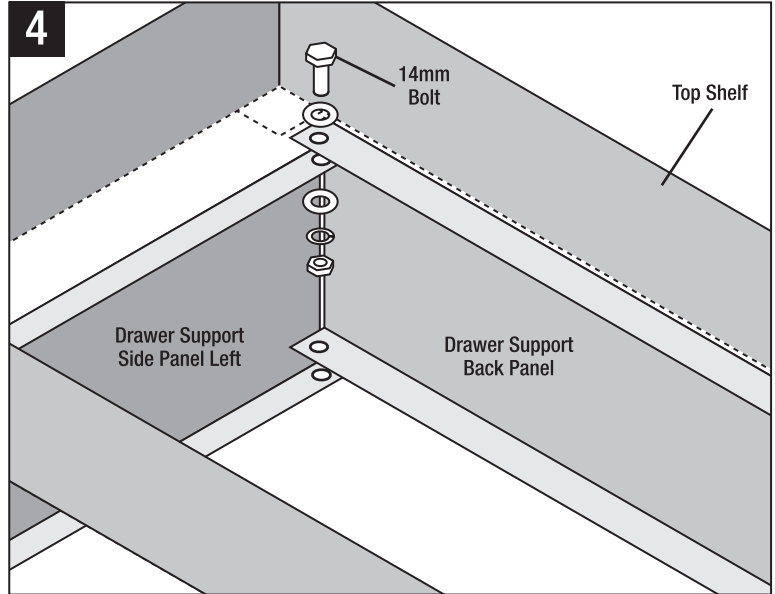


# ASSEMBLY INSTRUCTIONS

## Step 4: Connecting the sliding drawer back support to the top shelf.

Position a washer and insert a 14mm bolt down through the washer, the back left hole in the top shelf, the back left hole in the drawer support back panel, and the back left side of the drawer support side panel. Secure bolt with a flat washer, lock washer, and nut on the bottom side of the top shelf. Hand tighten. Repeat on back right side.

The top shelf, drawer supports and drawer spacer should now all be successfully connected.



## Step 5: Connecting the bottom shelf to the chrome legs.

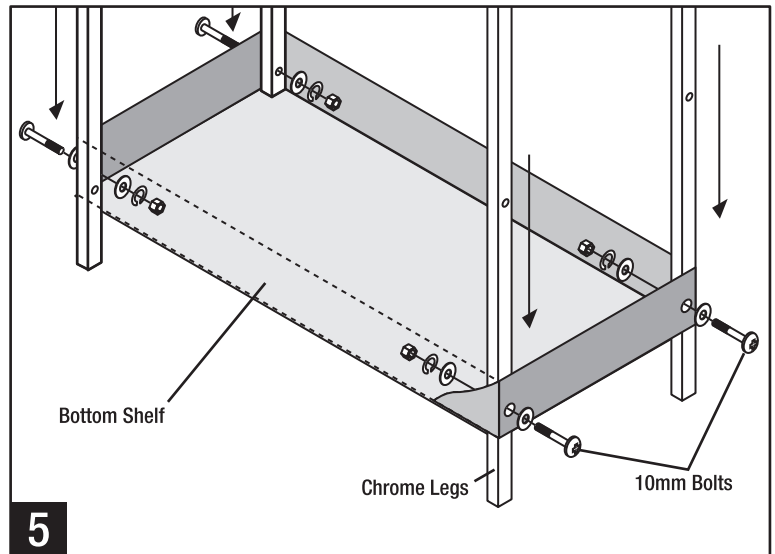
Lift the cart and place on top of the bottom shelf with chrome legs through the square leg-holes. Align bolt holes in bottom shelf with lower holes in legs and insert a 10mm bolt through the washer, bolt holes, and legs as shown.

Repeat with all remaining holes in bottom shelf.

### IMPORTANT

#### Tighten all bolts.

At this point, all bolts should be tightened. Tighten bolts opposite each other rather than tightening all bolts on one side first so that cart remains aligned. Avoid using excessive force when tightening bolts.



## Step 6: Attaching handle to locking drawer assembly.

Insert the 4 drawer handle screws through the holes in the back of the drawer and tighten with screwdriver.

