



Model NSJ0101

1.5 Ton Capacity Aluminum Floor Jack

For Technical Questions, Call: 1-800-879-7316

WARNING INFORMATION



This is the safety alert symbol. It is used to alert you to potential personal injury hazards. Obey all safety messages that follow this symbol to avoid possible injury or death.



WARNING: Indicates a hazardous situation which, if not avoided, could result in death or serious injury.



IMPORTANT: READ THESE INSTRUCTIONS BEFORE OPERATING

BEFORE USING THIS JACK, READ THIS MANUAL COMPLETELY AND THOROUGHLY, UNDERSTAND ITS OPERATING PROCEDURES, SAFETY WARNINGS AND MAINTENANCE REQUIREMENTS.

It is the responsibility of the owner to make sure all personnel read this manual prior to using this jack. It is also the responsibility of the jack owner to keep this manual intact and in a convenient location for all to see and read. Contact PowerStation, LLC for a replacement label if your jack's label is not readable. If the operator is not fluent in English, the product and safety instructions shall be read to and discussed with the operator in the operator's native language by the purchaser/owner or his designee, making sure that the operator comprehends its contents.

THE NATURE OF HAZARDOUS SITUATIONS



The use of portable automotive lifting and support devices is subject to certain hazards that cannot be prevented by mechanical means, but only by the exercise of intelligence, care, and common sense. It is therefore essential to have owners and personnel involved in the use and operation of the equipment who are careful, competent, trained, and qualified in the safe operation of the equipment and its proper use. Examples of hazards are dropping, tipping or slipping of loads caused primarily by improperly secured loads, overloading, off-centered loads, use on other than hard level surfaces, and using equipment for a purpose for which it was not designed.

METHODS TO AVOID HAZARDOUS SITUATIONS



- Read, study, understand and follow all instructions before operating this device.
- Inspect the jack before each use. Do not use jack if damaged, altered, modified, in poor condition, leaking hydraulic fluid, or unstable due to loose or missing components. Make corrections before using.
- Lift only on areas of the vehicle as specified by the vehicle manufacturer.
- Wear eye protection that meets ANSI Z87.1 and OSHA standards.
- Do not use jack beyond its rated capacity.
- This is a lifting device only. Immediately after lifting, support the vehicle with jack stands capable of sustaining the load before working on the vehicle.
- Use only on a hard level surface free from obstructions so the jack is free to reposition itself during lifting and lowering operations.
- Center load on saddle. Be sure setup is stable before working on vehicle.
- Do not move or dolly the vehicle while on the jack.
- Do not use saddle adapters or saddle extenders between the stock lifting saddle and the load.
- Do not use any adapters unless approved or supplied by PowerStation, LLC.
- Always lower the jack slowly and carefully.
- This product contains chemicals known to the state of California to cause cancer and birth defects or other reproductive harm.
Wash hands thoroughly after handling.
- Failure to heed these warnings may result in fatal personal injury and/or property damage.

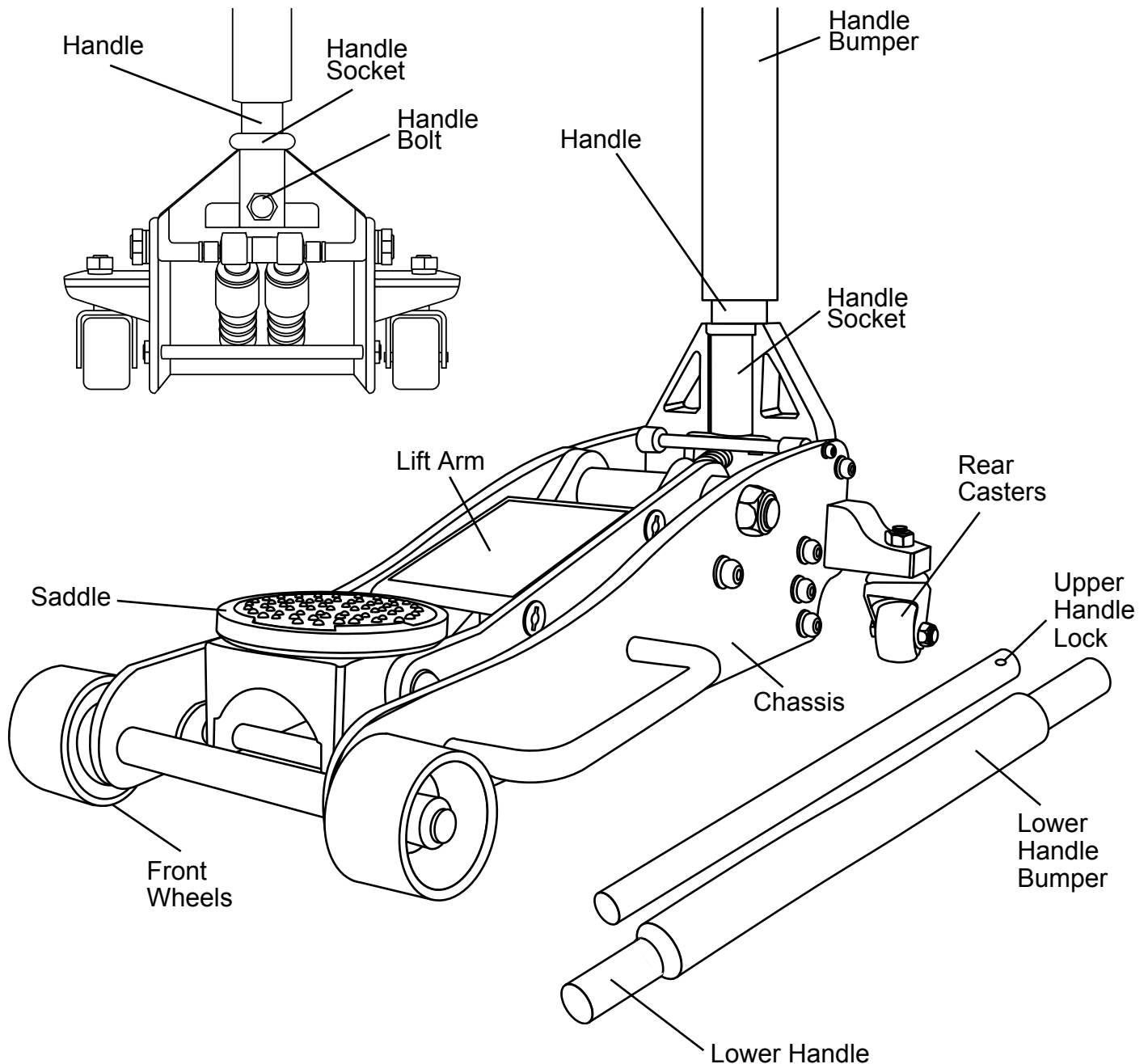
CONSEQUENCES OF NOT AVOIDING HAZARDOUS SITUATIONS



Failure to read this manual completely and thoroughly, failure to understand its OPERATING INSTRUCTIONS, SAFETY WARNINGS, MAINTENANCE INSTRUCTIONS and comply with them, and failure to comply with the METHODS TO AVOID HAZARDOUS SITUATIONS could cause accidents resulting in serious or fatal personal injury and/or property damage.

INSPECTION

Visual inspection should be made before each use of the jack, checking for leaking hydraulic fluid and damaged, loose or missing parts. Any jack which appears to be damaged in any way, is found to be badly worn, or operates abnormally **MUST BE REMOVED FROM SERVICE** until necessary repairs are made.



SETUP

1. Depress the upper handle lock in the upper handle while simultaneously inserting the end of the upper handle in the lower handle. Rotate the upper handle back and forth until the handle lock seats in the hole in the lower handle.
2. Unscrew the handle bolt so that it will not interfere with the insertion of the handle in the handle socket. Insert the handle in the handle socket and rotate the handle assembly back and forth until the release valve fits in the receiver in the bottom of the handle. Secure the handle in the handle socket by tightening the handle bolt.
3. Sometime air gets trapped in the hydraulic system during shipping and handling. If the pump feels spongy, or there is not a full incremental pump stroke, or the jack will not raise to maximum height, follow these instructions in order to purge air from the system:
 - a. With the lift arm in its completely retracted position and the pump handle rotated all the way in a clockwise direction until it stops, rotate the pump handle in a counterclockwise direction two full revolutions.
 - b. Proceed to pump the jack 15 full incremental pump strokes.
 - c. Rotate the pump handle clockwise until it stops and proceed to pump the handle until the lift arm reaches maximum height.
 - d. If the condition seems better, repeat steps "A" through "C" until all air is purged from the system.

OPERATING INSTRUCTIONS



This is the safety alert symbol used for the OPERATING INSTRUCTIONS section of this manual to alert you to potential personal injury hazards. Obey all instructions to avoid possible injury or death. **IMPORTANT:** Before attempting to raise any vehicle, check vehicle service manual for recommended lifting surfaces.

OPERATION

1. Put vehicle transmission in park or in gear and then apply the emergency brake.
To raise load: Turn the handle in a clockwise direction until tight. Position the jack under the load. Proceed to pump the handle in order to raise the lift arm to the load. As the saddle at the end of the lift arm gets closer to the load, reposition the jack so the saddle will contact the load firmly and the load is centered on the saddle. Make sure the saddle is correctly positioned. Raise the load to the desired work height. Place jack stands of appropriate capacity at the vehicle manufacturers's recommended support areas that provide stable support for the raised vehicle. **DO NOT CRAWL UNDER VEHICLE WHILE LIFTING VEHICLE OR PLACING OR REMOVING THE JACK STANDS!** Once jack stands are positioned, turn the jack handle **VERY SLOWLY** in a counterclockwise direction to lower the load to rest on the jack stands. Inspect the relationship between the jack stands and load to make sure the setup is stable and safe. If the setup is not stable or safe, follow the preceding steps until corrected.
2. To lower load: Follow the procedures mentioned in "To raise load" section of the OPERATING INSTRUCTIONS in order to raise the load off the jack stands. Once the load has cleared the jack stands, remove the jack stands from under the load and away from the work area. Turn handle very slowly in a counterclockwise direction until the load is completely lowered to the ground. Once the jack's lifting saddle has cleared the load, remove the jack from under the load. **CAUTION:** Keep hands and feet away from the hinge mechanism of the jack.

PREVENTATIVE MAINTENANCE

This is the safety alert symbol used for the PREVENTATIVE MAINTENANCE section of this manual to alert you to potential personal injury hazards. Obey all instructions to avoid possible injury or death.

1. Always store the jack in a well protected area where it will not be exposed to inclement weather, corrosive vapors, abrasive dust, or any other harmful elements. The jack must be cleaned of water, snow, sand or grit before using.
2. The jack must be lubricated periodically in order to prevent premature wearing of parts. A general purpose grease must be applied to caster wheels, front axle, elevator arm, handle base pivot bolts, release mechanism and all other bearing surfaces. Worn parts resulting from inadequate or no lubrication are not eligible for warranty consideration. See page 4 for lubrication instructions. **IMPORTANT:** In order to prevent seal damage and jack failure, never use alcohol, hydraulic brake fluid, or transmission oil in the jack. Use hydraulic jack oil, a light turbine oil, Chevron AW ISO 32 or Unocal Unax AW 150.
3. Every jack owner is responsible for keeping the jack labels clean and readable. Use a mild soap solution to wash external surfaces of the jack but not any moving hydraulic components.
4. Inspect the jack before each use. Do not use the jack if any component is cracked, broken, bent, shows sign of damage or leaks hydraulic fluid. Do not use the jack if it has loose or missing hardware or components, or is modified in any way. Take corrective action before using the jack again.

HYDRAULIC MAINTENANCE GUIDE

IMPORTANT: Service jacks are designed for lifting purposes only; always support raised load with jack stands.

REGULAR MAINTENANCE

MONTHLY or as necessary (depending on usage)

1. Using a grease gun, add grease to grease fitting in the lift arm pivot shaft. (Use a multi-purpose NLGI type grease only.)
2. Lubricate all linkages and pivot points. (Use white lithium spray grease only.)
3. Remove handle; lubricate handle receptacle and handle end. (Use white lithium spray grease only.)
4. Lubricate both rear casters bearings and both front wheels. (Use white lithium spray grease only.)

Tighten all accessible hardware.

PROPER STORAGE

It is recommended that the jack be stored in a dry location with all wheels touching the ground on a relatively level surface.

TROUBLESHOOTING

Important: Service jacks are self-contained devices used for lifting, but not sustaining, a partial vehicular load. In accordance with ASMEPALD Load Sustaining Test: "A load not less than the rated capacity...shall not lower more than 1/8" (3.18mm) in the first minute, nor a total of .1875" (4.76mm) in 10 minutes." Lowering within this range is considered normal operation and is NOT a warrantable defect.

PROBLEM	ACTION
1. Unit will not lift load.	Purge air from hydraulic system by following procedure under SETUP.
2. Unit will not sustain load or feels "spongy" under load.	Purge air from hydraulic system as above.
3. Unit will not lift to full height.	Purge air from hydraulic system as above.
4. Handle tends to raise up while the unit is under load.	Pump the handle rapidly several times to push oil past ball valves in power unit.

SPECIFICATIONS

NSJ0101		
Low Height	8.6 cm	3.4 in.
High Height	37.5 cm	14.75 in.
Overall Length	58 cm	22.83 in.
Overall Width	24 cm	9.45 in.
Saddle Diameter	9.8 cm	3.875 in.
Front Wheel Diameter	5.5 cm	2.15 in.
Rear Caster Diameter	4 cm	1.58 in.
Net Weight	12 kg	26.46 lbs.
Shipping Weight	13 kg	28.66 lbs.

LIMITED WARRANTY

POWERSTATION, LLC WARRANTS TO ITS CUSTOMERS THAT THE COMPANY'S POWERSTATION, LLC BRANDED PRODUCTS ARE FREE FROM DEFECTS IN WORKMANSHIP AND MATERIALS.

PowerStation, LLC will repair or replace its PowerStation, LLC branded products which fail to give satisfactory service due to defective workmanship or materials, based upon the terms and conditions of the following described warranty plans attributed to that specific product. This product carries a ONE-YEAR warranty. During this warranty period, PowerStation, LLC will repair or replace at our option any part or unit which proves to be defective in material or workmanship.

Other important warranty information:

This warranty does not cover damage to equipment or tools arising from alteration, abuse, misuse, damage and does not cover any repairs or replacement made by anyone other than PowerStation, LLC. The foregoing obligation is PowerStation, LLCs' sole liability under this or any implied warranty and under no circumstances shall we be liable for any incidental or consequential damages.

Note: Some states do not allow the exclusion or limitation of incidental or consequential damages, so the above limitation or exclusion may not apply to you. If you have any questions about warranty service, please contact PowerStation, LLC. This warranty gives you specific legal rights and you may also have other rights which vary from state to state.

PowerStation, LLC

1-800-879-7316

Monday - Friday 9am to 5pm EST

P.O. Box 1203

Travelers Rest, South Carolina 29690

NOS and the NOS logo are registered trademarks of Holley Performance Products Inc.