



# SHOP PRESS OPERATION MANUAL



CP100 - 100 TON AIR HYDRAULIC SHOP PRESS  
CP150 - 150 TON AIR HYDRAULIC SHOP PRESS

## PRESS SPECIFICATIONS

Arcan Model No.	A	B	C	D	E	F	G	H	I	J
CP100	78"	34"	40"	15-1/2"	7"	1-1/4"	HASKEL AIR	Y	Y	Y (2)
CP150	78-1/2"	36"	48"	18-1/4"	7"	1-1/4"	HASKEL AIR	Y	Y	Y (2)

- A - Total Height
- B - Inside Width
- C - Press Feet Length
- D - Bed Width
- E - Stroke (ram travel distance from fully retracted position to fully extended position)
- F - Pin Diameter
- G - Motor Control
- H - PB Winch
- I - Sliding Head
- J - Press Plates Included

P.O. Box 58

Travelers Rest, SC 29690

Phone: (800) 879-7316

Fax: (864) 834-0073

## SAFETY INFORMATION

### **⚠ WARNING**

This symbol alerts you to the possibility of serious injury or death if instructions are not followed.

### **⚠ CAUTION**

This symbol alerts you to the possibility of damage to or destruction of equipment if instructions are not followed.

### **⚠ WARNING**

Failure to heed these warnings may result in loss of load, damage to the press and/or failure resulting in property damage, personal or fatal

injury. This operating manual contains important details concerning the safe operation of this tool. The user must read and understand these details before any use of the tool. This manual must be retained for future reference.

- Read, study, and understand all instruction manuals packed with this press before operating.
- Always wear safety goggles.
- Parts being pressed may splinter, shatter, or be ejected from the press at a dangerous rate of speed. Because of the variety of press applications, it is your responsibility to always use adequate guards and wear eye protection and heavy protective clothing when operating the press.
- Visual inspection should be made before each use of the press, checking for signs of cracked welds, bent bed pins, loose or missing bolts, leaks, or any other structural damage.
- Do not go near leaks. High pressure oil can puncture skin and cause serious injury, gangrene, or death. If injured, seek emergency medical help. Immediate surgery is required to remove oil.
- Keep hands and fingers out of the press and away from parts that may shift and pinch. Do not stand in front of work area when load is applied.
- Always use an accurate pressure gauge to measure pressing force.
- Do not exceed the rated capacity of this press.
- Never tamper with hydraulic system pressure settings.
- Do not substitute bolts, pins or any part of the components. Use only genuine factory replacement parts.
- Always center load on ram plunger. Offset loads can damage ram and may cause load to eject at a dangerous rate of speed.
- Remove all loads from press bed before attempting to adjust bed height. Beware of possibility of falling bed.
- Press only on loads supported by press bed and included press plates. Do not support loads on floor or press frame.
- When using any accessories such as arbor plates, be certain they are centered on press bed and are in full contact with press bed.
- Before applying load, be certain all press bed supporting pins are fully engaged.
- Always use a bearing shield when pressing bearings. Use caution when positioning work to be pressed to ensure that the item that is to be pressed cannot be dislodged or broken during press work. This may result in the item being ejected from the press at a dangerous rate of speed.
- Release hydraulic pressure before loosening any fittings.
- Maintain proper hydraulic fluid levels.
- Do not make any alterations to the press.

### **OWNER/USER RESPONSIBILITY**

The owner and/or user must have an understanding of the manufacturer's operating instructions and warnings before using this press. Personnel involved in the use and operation of equipment must be careful, competent, trained, and qualified in the safe operation of the equipment and its proper use when servicing motor vehicles and their components. Warning information should be emphasized and understood.

If the operator is not fluent in English, the manufacturer's instructions and warnings must be read to and discussed with the operator in the operator's native language by the purchaser/owner, making sure that the operator comprehends its contents.

Owner and/or user must study and maintain for future reference the manufacturer's instructions. Owner and/or user is responsible for keeping all warning labels and instruction manuals legible and intact. Replacement labels and literature are available from the manufacturers.

### **INSPECTION**

Visual inspection of the shop press should be made before each use of the press, checking for damaged, loose or missing parts. Each press must be inspected by a manufacturer's repair facility immediately if subjected to an abnormal load or shock. Any press which appears to be damaged in any way, is found to be badly worn, or operates abnormally must be removed from service until necessary repairs are made by a manufacturer's authorized repair facility. It is recommended that an annual inspection of the press be made by a manufacturer's authorized repair facility and that any defective parts, decals or warning labels be replaced with manufacturer's specified parts. A list of authorized repair facilities is available from the manufacturer.

### **SAFETY INSTRUCTIONS**

- CHECK YOUR LOCAL, STATE AND FEDERAL REGULATIONS REGARDING THE SAFE USE OF THIS EQUIPMENT.
- Your safety is a top priority. Please handle equipment with care.
- Fully retract unit and remove all items from the press bed frame.
- Support the press bed and remove the pins.
- Raise or lower bed to desired height and reinstall press pins. Be certain pins are fully engaged in the parallel flanges of the upright columns.
- Position press on a flat, level, hard surface, preferably concrete. Make sure all nuts and bolts are tight.
- Clear the area of bystanders, especially small children, before using.
- Set the press bed to the required height. The press is most effective when the work piece is located 1 inch below the ram's retracted position. The compression stroke can include the entire 5 inch working range.
- The press is designed to exert a force on anything which is positioned beneath its ram. The work piece can be ejected from under the ram at a high rate of speed and can injure someone.
- Pressing Bearings: It is essential that you use the bearing shield when pressing bearings are on or off.

### **OPERATION**

1. Press beds are adjustable up and down to fully take advantage of available ram travel and numerous work pieces.
2. Slowly open release valve on power unit. With the power unit in its stored position, remove all items from the press bed.
3. Be sure press bed is supported properly and remove press bed pins.
4. Raise or lower press bed to desired height, and reinstall press bed pins. Be certain pins are completely through both sides of frame, as these pins are the major support mechanism for the bed.

We want to know if you have any problems with our products.

If you are missing any parts or find any damage, call Arcan directly, and we will remedy the situation. Please do not call the store where you purchased this product.

Phone: (800) 879-7316

Email: [arcanusa@bellsouth.net](mailto:arcanusa@bellsouth.net)

## SPECIFICATIONS & OPERATING INSTRUCTIONS

### AIR SUPPLY

160-180PSI recommended for best operation.

### FLUID LEVELS

Use AW-32 hydraulic oil ONLY and fill to level indicated on tank (just below fill plug).

### WATER FILTER

Empty water and replace filter as recommended in manufacturer's instructions.

#### CAUTION

Excess moisture in air supply can shorten air motor life and cause erratic operation.

### SLIDING HEAD

Ram can be moved from left to right.

#### CAUTION

Do not attempt to move ram while press is in operation.

#### Note:

- RETAIN THIS MANUAL FOR FUTURE REFERENCE.
- RETAIN AIR MOTOR AND WINCH MANUALS FOR FUTURE REFERENCE.
- REFER TO AIR MOTOR MANUAL FOR MAINTENANCE INSTRUCTIONS.

## OPERATING INSTRUCTIONS

#### CAUTION

Remove all items from press bed before operating winch.

#### WARNING

Do not operate press without all press bed pins in place. The winch and winch cable are designed to support the weight of the press bed only. Using the press without the pins in place can result in damage to the press, personal injury or death.

### TO RAISE OR LOWER PRESS BED

- Once press bed has been positioned and all pins are in place, release tension on cable so press bed is supported entirely by the press pins.
- Move winch handle toward back of press to lower bed.
- Move winch handle toward front of press to raise bed.

### TO RETRACT RAM

1. Open release valve by turning counter-clockwise.
2. Move control valve handle to extreme right.

### TO LOWER RAM

1. Move control valve handle to the left.

### TO CONTROL RAM SPEED

- Open release valve for faster ram speed.
- Close release valve when ram contacts work surface.
- Ram will not apply pressure until release valve is closed.

Keep air control valve handle in center position when press is not in use.

#### CAUTION

Do not leave air supply connected when press is not in use. Pressure will force oil into air lines and air motor.

#### WARNING

Do not overextend ram. This device is equipped with a safety release valve; however, overextending the ram can result in damage to equipment, personal injury or death.

## NOTES

---

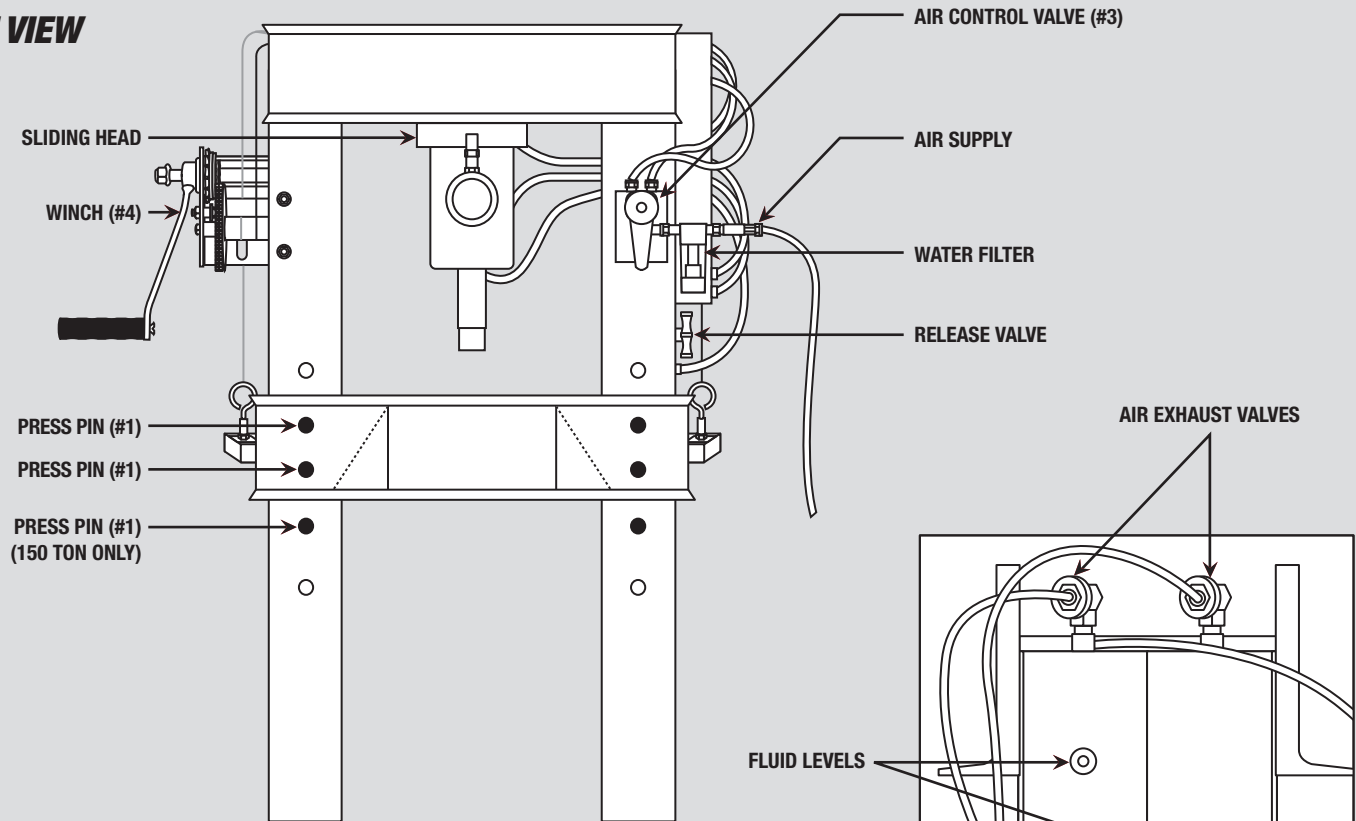
---

---

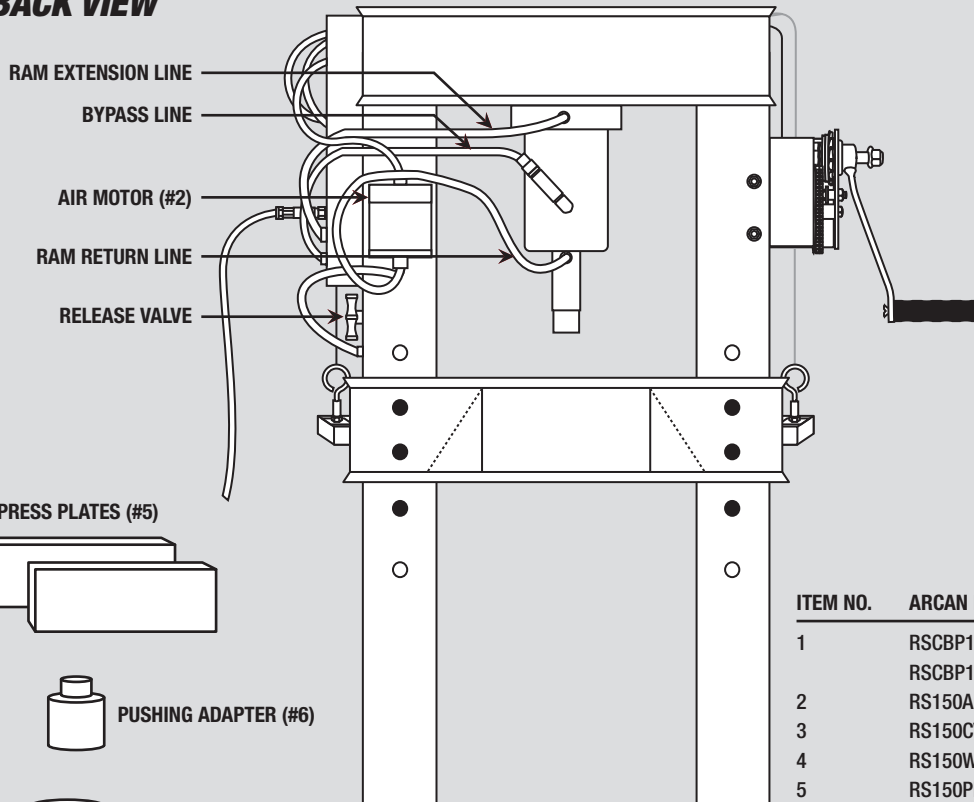
---

## PARTS DIAGRAM

### FRONT VIEW

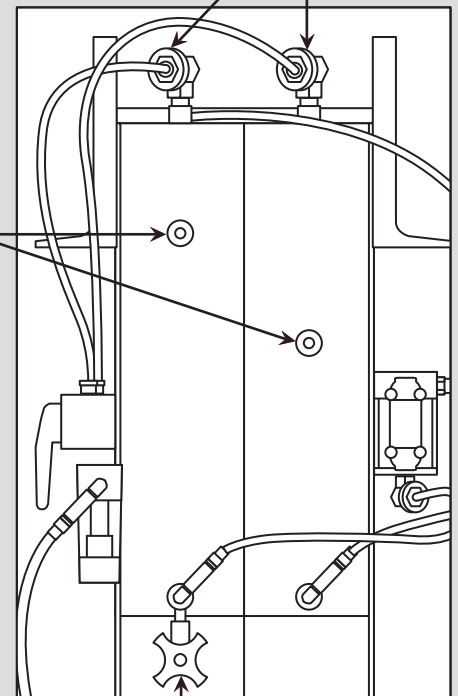


### BACK VIEW



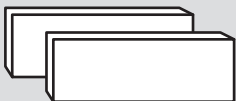
### AIR EXHAUST VALVES

### FLUID LEVELS



### SIDE VIEW

### PRESS PLATES (#5)



PUSHING ADAPTER (#6)



BEARING SHIELD (#7)

ITEM NO.	ARCAN PART NO.	DESCRIPTION	QTY.
1	RSCBP1225	Press Pin (100 Ton Press)	4
	RSCBP1225	Press Pin (150 Ton Press)	6
2	RS150AM	Air Motor	1
3	RS150CV	Rexroth Control Valve	1
4	RS150W	Winch (only)	1
5	RS150PP	Press Plate	2
6	RS310012	Pushing Adapter	1
7	RSBS1	Bearing Shield	1