

# 3/4 Ton Engine Sling - OPERATING MANUAL

## DESCRIPTION

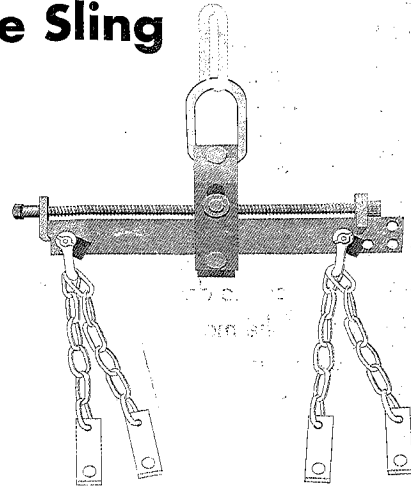
The 3/4 Ton Engine Sling is a device to be used between an overhead lifting hoist and an unevenly weighted load such as an auto engine with transmission intact. The device is designed to increase efficiency in a variety of hoisting applications by allowing the operator to lift off-center loads and adjust the working angle of the loads.

## OWNER/USER RESPONSIBILITY

The owner and/or user must have an understanding of the manufacturer's operating instructions and warnings before using this engine sling. Personnel involved in the use and operation of equipment shall be careful, competent, trained, and qualified in the safe operation of the equipment and its proper use when servicing motor vehicles and their components. Warning information should be emphasized and understood. If the operator is not fluent in English, the manufacturer's instructions and warnings shall be read to and discussed with the operator in the operator's native language by the purchaser/owner, making sure that the operator comprehends its contents.

Owner and/or user must study and maintain for future reference the manufacturer's instructions. Owner and/or user is responsible for keeping all warning labels and instruction manuals legible and intact. Replacement labels and literature are available from the manufacturer.

## 3/4 Ton Capacity Engine Sling

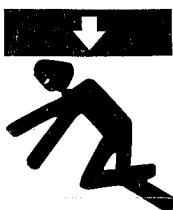


## INSPECTION

Visual inspection should be made before each use of the engine sling, checking for damaged, loose or missing parts. Each sling must be inspected by a manufacturer's repair facility immediately, if accidentally subjected to an abnormal load or shock. Any sling which appears to be damaged in any way, is found to be badly worn, or operates abnormally **MUST BE REMOVED FROM SERVICE** until necessary repairs are made by a manufacturer's authorized repair facility. It is recommended that an annual inspection of the sling be made by a manufacturer's authorized repair facility and that any defective parts, decals or warning labels be replaced with manufacturer's specified parts.

A list of authorized repair facilities is available from the manufacturer.

## ! WARNING

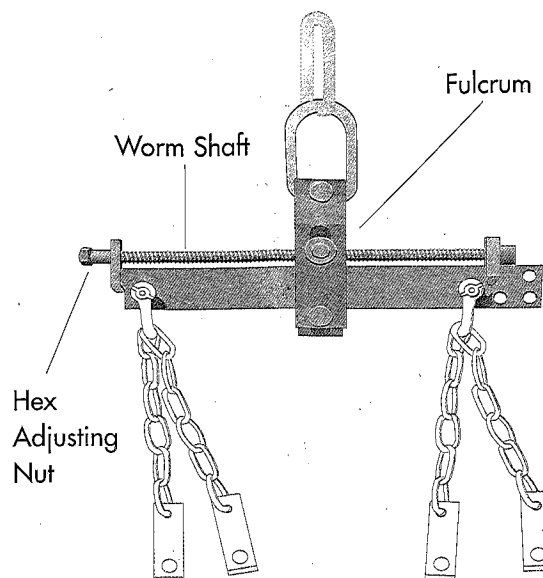


- Maximum rated load is 1500 pounds.
  - Before lifting load, be sure all bolts on lifting beam and all fasteners connected to load are engaged and tightened.
  - Keep body and body parts from under lifted load at all times.
- Failure to follow operating and safety instructions provided may result in personal injury or death. Read instructions in operator's manual.

# 3/4 TON ENGINE SLING - OPERATING MANUAL

## OPERATING INSTRUCTIONS

To remove an auto or truck engine with transmission intact, first uncouple the transmission and remove motor mount bolts. With the Engine Sling hooked to an overhead hoist above the engine, attach the L-shape connections at the end of the four (4) chains (choose one of two holes provided) to the engine head bolts - two at front, both sides, and two at rear, both sides. Using the engine hoist, take up slack in chain carefully. Lift a few inches and check load balance. To reach the desired angle for load balance, adjust the position of the movable fulcrum in the beam by turning the 1" hex adjusting nut at end of the worm shaft with a ratchet wrench. Then carefully lift out the engine and transmission. By turning the hex adjusting nut one direction or the other, the suspended engine and transmission can then be tipped only enough to remove. Reverse the above steps to reinstall repaired engine transmission. For this and other types of loads, make sure all connections are tight and secure before operating the hoist.



**The following operational instructions are recommended to prevent serious personal injury or damage. Never use this Engine Sling with an engine hoist having a capacity of less than 1 ton!**

### Operator Should ALWAYS

1. Be familiar with sling operating controls, procedures and warnings.
2. Make sure all connections to load are tight and secure.
3. Maintain firm footing when operating sling.
4. Make sure that load is free to move and will clear all obstructions.
5. Take up slack carefully, check load balance, lift a few inches and check load holding action before continuing.
6. Avoid swinging of load.
7. Make sure that all persons stay clear of the suspended load.
8. Warn personnel of an approaching load.
9. Protect load chain from weld spatter or other damaging contaminants.
10. Promptly report to your supervisor or repair any malfunction, unusual performance, or damage of the sling.
11. Inspect beam regularly, replace damaged or worn parts, and keep appropriate records of maintenance.

### Operator Should

1. Never lift more than rated load.
2. Never use damaged sling or sling that is not working correctly.
3. Never use the beam with twisted, kinked, damaged or worn chain.
4. Never lift a load if any binding prevents equal loading on all supporting chains
5. Never allow attention to be diverted from operating the sling.
6. Never use beam to lift, support or transport people.
7. **NEVER LIFT LOADS OVER PEOPLE!**
8. Never leave a suspended load unattended.
9. Never allow sharp contact between sling and obstructions.
10. Never allow the chain or link to be used as a ground for welding.
11. Never allow the chain or link to be touched by a live welding electrode.
12. Never attempt to lengthen the load chain or repair damaged chain.