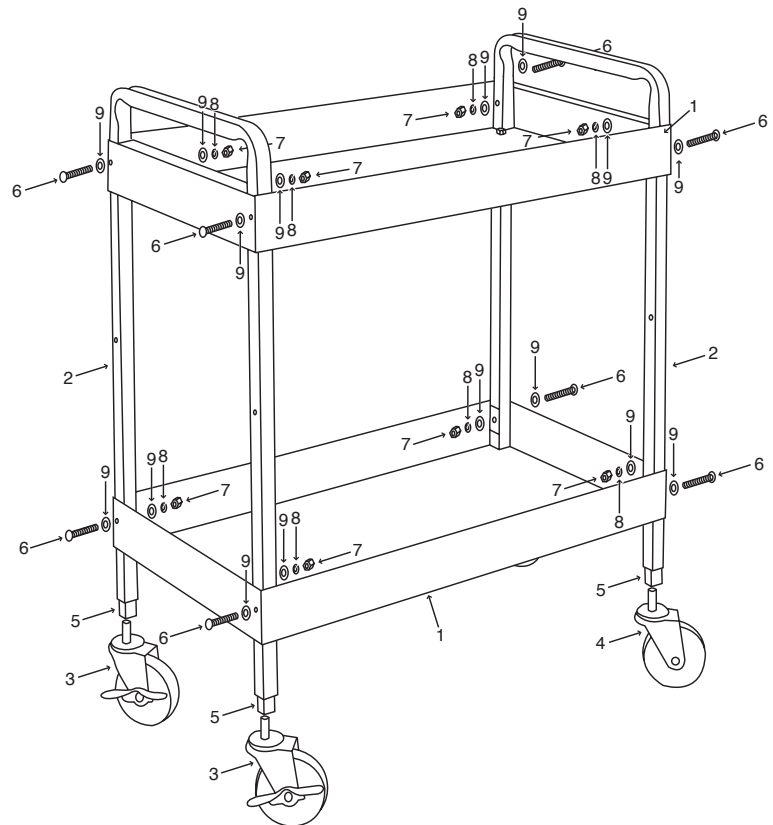
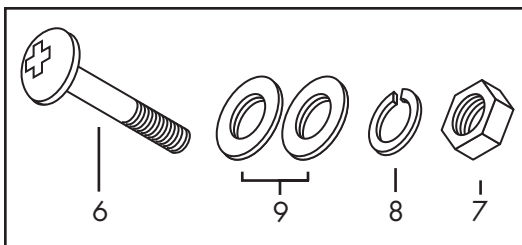


## ASSEMBLY INSTRUCTIONS

- Step 1** Slide chrome legs (#2) into square holes cut in tray (#1) until bolt holes are aligned at top of legs.
- Step 2** Insert bolt and flat washer into hole on leg and tray. Fasten nut using lock washer and flat washer, **BUT DO NOT TIGHTEN NUT COMPLETELY AT THIS TIME.** Repeat this procedure on all four corners.
- Step 3** Repeat Step 1 with bottom tray (#1).
- Step 4** Repeat Step 2 with bottom tray (#1).
- Step 5** Insert casters (#3, #4) into the hole of plastic inserts (#5).  
**NOTE:** Insert the two locking casters (#3) at the same end of the cart.
- Step 6** Now go back and tighten all loose nuts and bolts (Torque to 60 inch-lbs.).
- Step 7** For drawer assembly instructions, if this feature is available with model purchased, go to Step 8 on reverse side.

Bolt kit for ASC8005 cart:



## PARTS LIST

Item No.	Part No.	No. Req'd	Description
1	8007	2	Tray/each
2	RSSC7	2	Chrome Leg/each
3	RSSCPLW	2	Locking Caster/each
4	RSSCPW	2	Non-Locking Casters/each
5	RSSCPP1	1	Set of 4 Plastic Inserts
	RSSCPHK	1	Bolt Kit (Incl. 8 each of #6, 7, 8 and 16 each of #9)

### Also Available:

8006RB	Locking Drawer with Roller Bearing Slides
RSRBSLIDEC-2	Clip-on Roller Bearing Slides/pr.
RS8006HDL	Drawer Handle
RS8006LK	Drawer Lock with Two Keys